

SMP-F EDGE LAUNCH FULL DETENTE .065" BRD

SC5382

SPECIFICATIONS

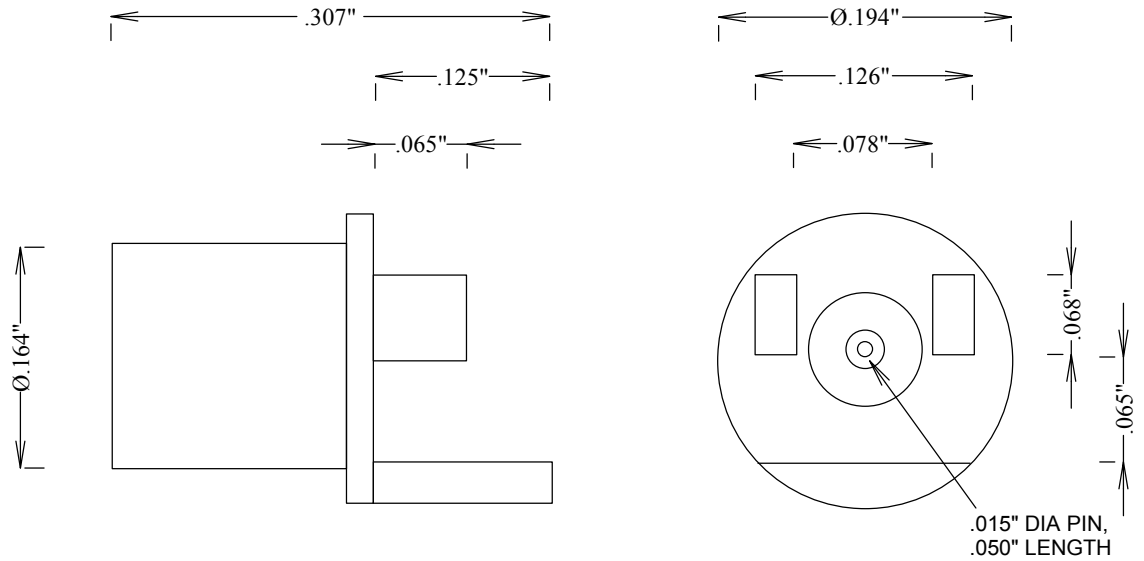
ELECTRICAL:

FREQUENCY: 0-40 GHZ
IMPEDANCE: 50 OHMS

MECHANICAL:

MATERIAL BODY: BeCu
CENTER CONTACTS: BeCu
PLATING: Au PER MIL-G-45204
INSULATOR: PTFE
INTERFACE: SMP DESC 94008
OP. TEMP RANGE: -55° to +155°C
ROHS COMPLIANT

FORCE TO ENGAGE: 15.0 LBS MAX
FORCE TO DISENGAGE: 5.0 LBS MIN



FAIRVIEW MICROWAVE INC.

ALLEN, TX 75013 WWW.FAIRVIEWMICROWAVE.COM

TITLE

**SMP-F EDGE LAUNCH FULL DETENTE
.065" BRD**

SIZE	CAGE CODE	DWG NO	REV
A	3FKR5	SC5382	--

SCALE	SHEET
-------	-------