

SMP-M EDGE LAUNCH LIMITED DETENTE

SC5371

SPECIFICATIONS

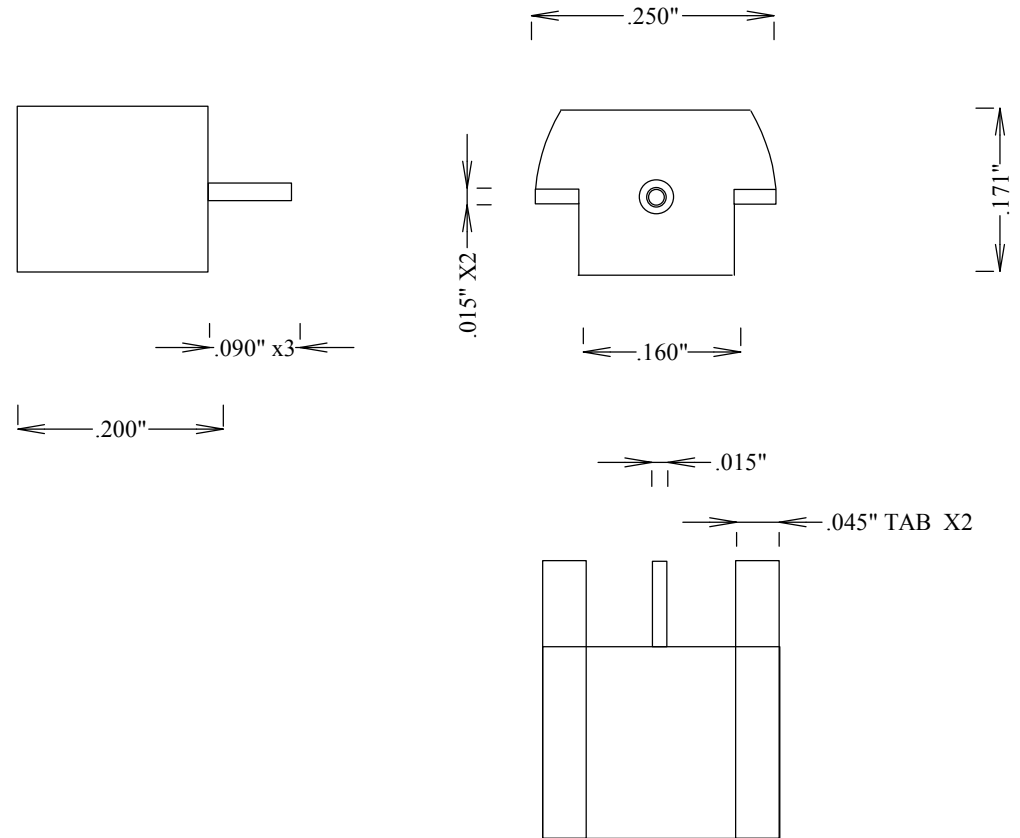
ELECTRICAL:

FREQUENCY: 0-40 GHZ
 IMPEDANCE: 50 OHMS

MECHANICAL:

MATERIAL BODY: BeCu
 CENTER CONTACTS: BeCu
 PLATING: Au PER MIL-G-45204
 INSULATOR: PTFE
 INTERFACE: SMP DESC 94007
 OP. TEMP RANGE: -65° to +165°C
 ROHS COMPLIANT

FORCE TO ENGAGE: 10.0 LBS MAX
 FORCE TO DISENGAGE: 2.0 LBS MIN



| | | | | | | | |
|----------|--|--------------|--|---|--|----------|--|
| | | | | FAIRVIEW MICROWAVE INC. | | | |
| | | | | ALLEN, TX 75013 WWW.FAIRVIEWMICROWAVE.COM | | | |
| | | | | TITLE | | | |
| | | | | SMP-M EDGE LAUNCH LIMITED DETENTE | | | |
| SIZE | | CAGE CODE | | DWG NO | | REV | |
| A | | 3FKR5 | | SC5371 | | A | |
| SCALE | | | | | | SHEET | |