

SMP-MALE SMOOTH BORE CATCHERS MITT TO CERAMIC BOARD

SC5363

SPECIFICATIONS

ELECTRICAL:

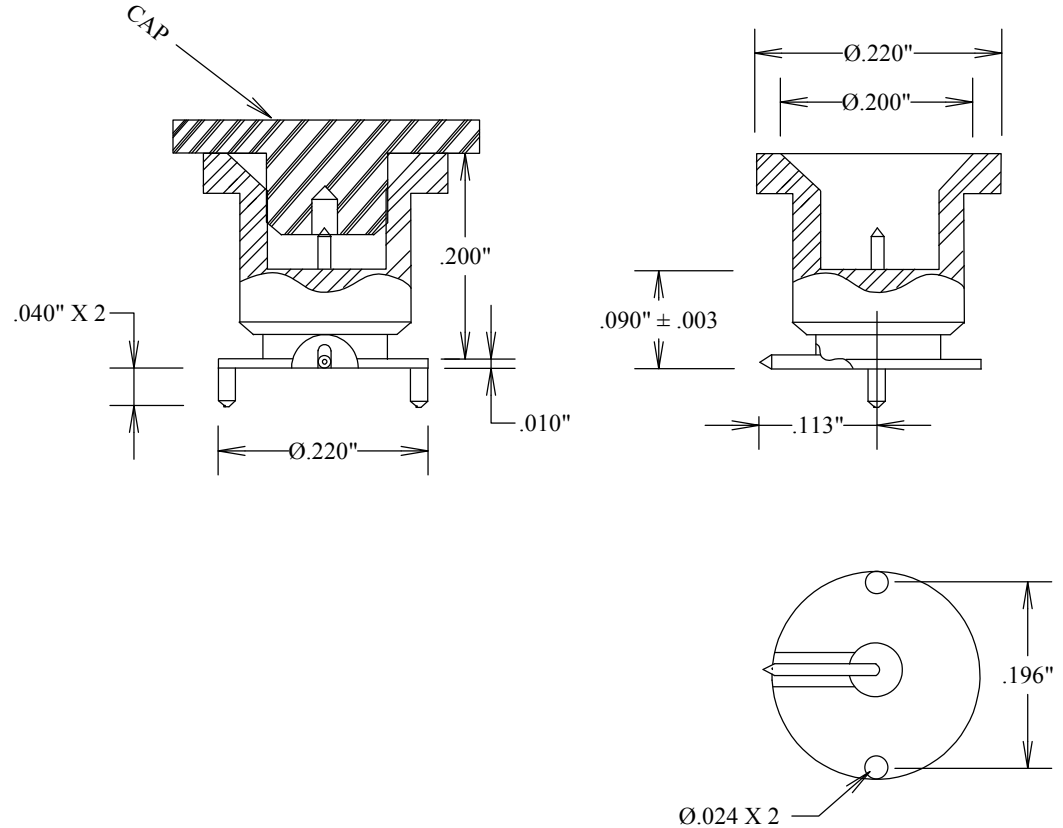
FREQUENCY: 0-18 GHZ
 IMPEDANCE: 50 OHMS
 OP. TEMP RANGE: -55C- +155C

MECHANICAL:

MATERIAL BODY: BeCu
 CENTER CONTACT: Au
 PLATING: Au MIL-G-45204
 INSULATOR: TORLON
 INTERFACE: DESC 94007

SMOOTH BORE
 FORCE TO ENGAGE: 2.0 LBS MAX
 FORCE TO DISENGAGE: 0.5 LBS MIN

ROHS COMPLIANT



FAIRVIEW MICROWAVE INC.

ALLEN, TX 75013 WWW.FAIRVIEWMICROWAVE.COM

TITLE

**SMP-MALE SMOOTH BORE
CATCHERS MITT TO CERAMIC BOARD**

SIZE	CAGE CODE	DWG NO	REV
A	3FKR5	SC5363	--
SCALE	SHEET		