

# SMP-MALE PCB R/A LIMITED DETENTE

SC5343

## SPECIFICATIONS

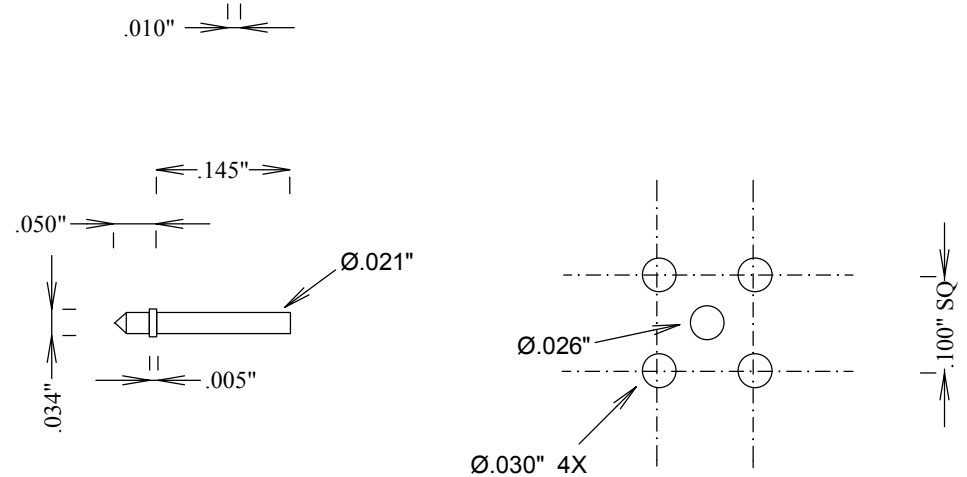
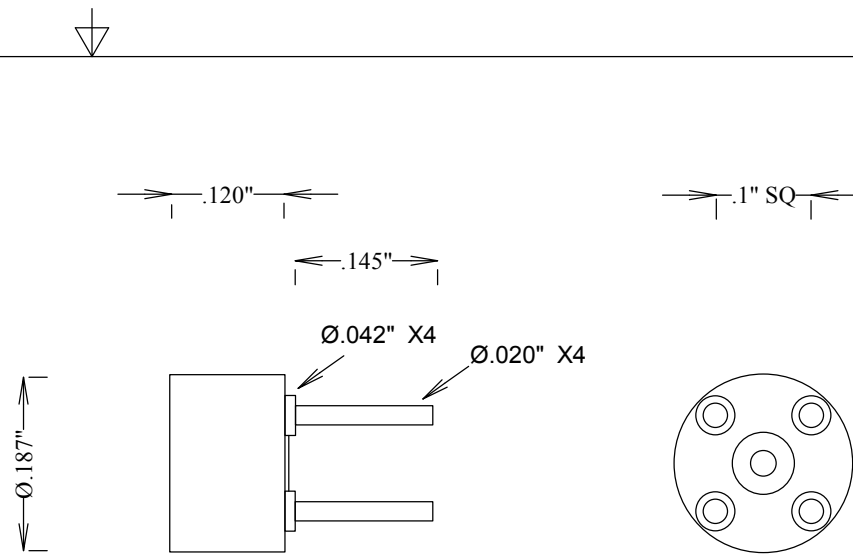
### ELECTRICAL:

FREQUENCY: 0-18 GHZ  
 IMPEDANCE: 50 OHMS  
 OP. TEMP RANGE: -55C- +155C

### MECHANICAL:

MATERIAL BODY: BeCu  
 CENTER CONTACT: BeCu  
 PLATING: Au MIL-G-45204  
 INSULATOR: TEFLON  
 INTERFACE: DESC 94007

LIMITED DETENTE  
 FORCE TO ENGAGE: 10 LBS MAX  
 FORCE TO DISENGAGE: 2 LBS MIN



**FAIRVIEW MICROWAVE INC.**

ALLEN, TX 75013 WWW.FAIRVIEWMICROWAVE.COM

TITLE

**SMP-MALE PCB R/A  
LIMITED DETENTE**

SIZE	CAGE CODE	DWG NO	REV
<b>A</b>	<b>3FKR5</b>	<b>SC5343</b>	--
SCALE	SHEET		