

SMP-MALE PCB R/A LIMITED DETENTE

SC5335

SPECIFICATIONS

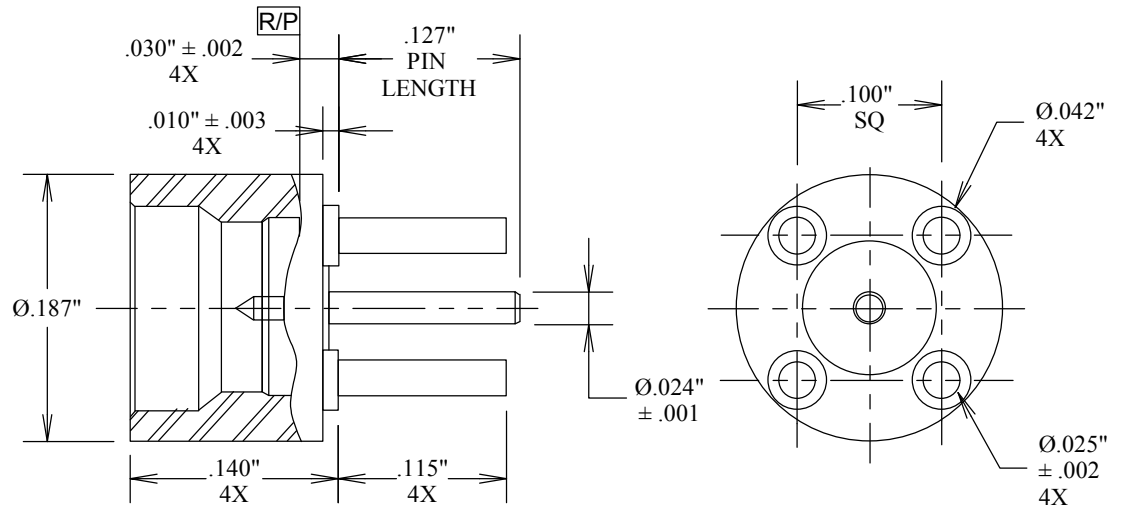
ELECTRICAL:

FREQUENCY: 0-18 GHZ
 IMPEDANCE: 50 OHMS
 OP. TEMP RANGE: -55C- +155C

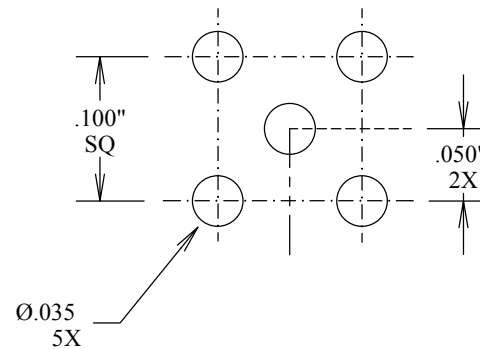
MECHANICAL:

MATERIAL BODY: BeCu
 CENTER CONTACT: BeCu
 PLATING: Au MIL-G-45204
 INSULATOR: TEFLON
 INTERFACE: DESC 94007

LIMITED DETENTE
 FORCE TO ENGAGE: 10 LBS MAX
 FORCE TO DISENGAGE: 2 LBS MIN



MOUNTING DIMENSIONS



FAIRVIEW MICROWAVE INC.

ALLEN, TX 75013 WWW.FAIRVIEWMICROWAVE.COM

TITLE

**SMP-MALE PCB R/A
LIMITED DETENTE**

SIZE

A

CAGE CODE

3FKR5

DWG NO

SC5335

REV

A

SCALE

SHEET