

# SMP-F RG178 RG196 RIGHT ANGLE

SC5174

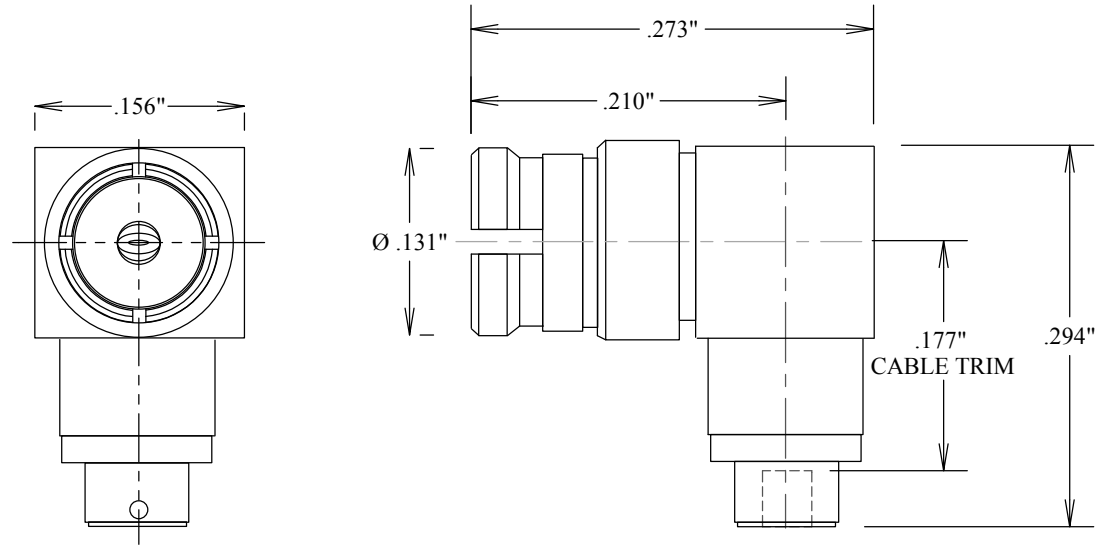
## SPECIFICATIONS

### ELECTRICAL:

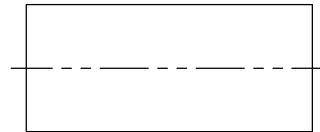
FREQUENCY: 0-3 GHZ  
 IMPEDANCE: 50 OHMS  
 OP. TEMP RANGE: -55° to +125°C

### MECHANICAL:

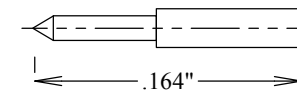
MATERIAL BODY: BeCu  
 CENTER CONTACTS: BeCu  
 PLATING: Au PER MIL-G-45204  
 INSULATOR: PTFE  
 INTERFACE: SMP PER MIL-STD-348  
 ROHS COMPLIANT



HEAT SHRINK TUBING



ACCESS CONTACT



**FAIRVIEW MICROWAVE INC.**

ALLEN, TX 75013 WWW.FAIRVIEWMICROWAVE.COM

TITLE

**SMP-F RG178 RG196 RIGHT ANGLE**

SIZE	CAGE CODE	DWG NO	REV
<b>A</b>	<b>3FKR5</b>	<b>SC5174</b>	<b>A</b>
SCALE	SHEET		