

SMP-M FULL DETENTE CATCHERS MITT TO .086" SR BULKHEAD

SC5163

SPECIFICATIONS

ELECTRICAL:

FREQUENCY: 0-40 GHZ
 IMPEDANCE: 50 OHMS
 OP. TEMP RANGE: -55° to +125°C

MECHANICAL:

MATERIAL BODY: BeCu
 CENTER CONTACTS: BeCu
 PLATING: Au PER MIL-G-45204
 INSULATOR: TEFLON
 INTERFACE: SMP DESC 94008
 ROHS COMPLIANT

FULL DETENTE:

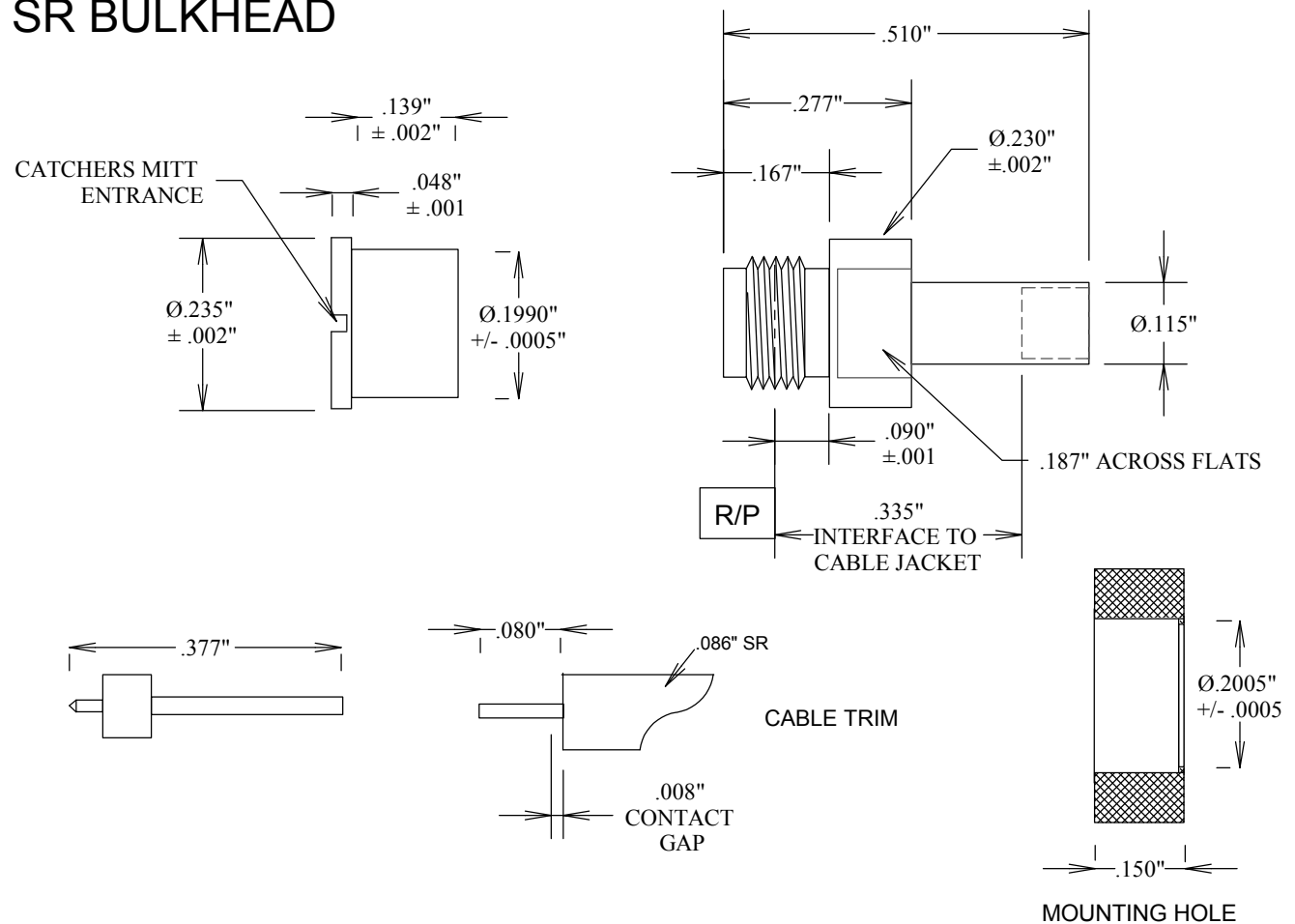
15.0 LBS MAX ENGAGE
 5.0 LBS MIN DISENGAGE

SMOOTH BORE:

2.0 LBS MAX ENGAGE,
 0.5 LBS MIN DISENGAGE

link

[SMP Cable Connectors](#)



				FAIRVIEW MICROWAVE INC.			
				ALLEN, TX 75013 WWW.FAIRVIEWMICROWAVE.COM			
				TITLE			
				SMP-M FULL DETENTE CATCHERS MITT TO .086" SR BULKHEAD			
SIZE	CAGE CODE	DWG NO				REV	
A	3FKR5	SC5163				A	
SCALE						SHEET	