

# SMA-F PANEL POST CONTACT

SC3740, SC3741

## SPECIFICATIONS

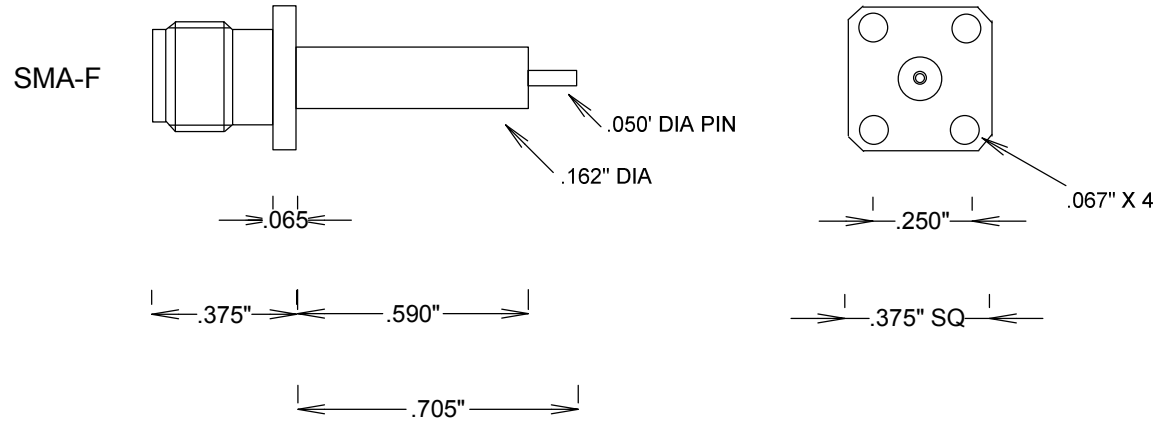
### ELECTRICAL:

FREQUENCY: 0-18 GHZ  
 IMPEDANCE: 50 OHMS

### MECHANICAL:

MATERIAL BODY: STAINLESS STEEL  
 CENTER CONTACT: BeCu Au PLATED MIL-G-45204  
 CAPTIVATED CONTACT  
 INSULATOR: TEFLON  
 INTERFACE: MIL-STD-883A  
 OP. TEMP RANGE: -55°C to +155°C  
 ROHS COMPLIANT

SC3740 Au PLATING  
 SC3741 PASSIVATED



**FAIRVIEW MICROWAVE INC.**

ALLEN, TX 75013 WWW.FAIRVIEWMICROWAVE.COM

TITLE

**SMA-F PANEL POST CONTACT**

SIZE	CAGE CODE	DWG NO	REV
<b>A</b>	<b>3FKR5</b>	<b>SC3740, SC3741</b>	--

SCALE

SHEET