

SMA-M CONN .141SR SLIDE ON CENTER

SC3016

SPECIFICATIONS

ELECTRICAL:

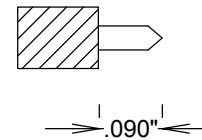
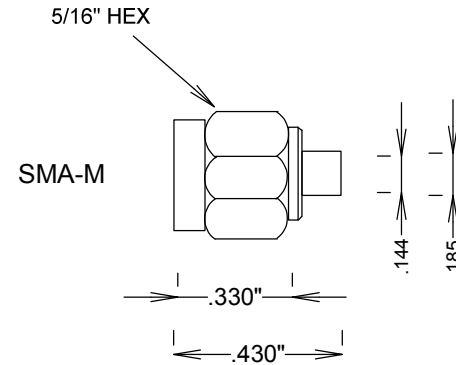
FREQUENCY: 0-18 GHZ
 VSWR 1.3:1 MAX
 IMPEDANCE: 50 OHMS
 OP. TEMP RANGE: -55C- +155C

MECHANICAL:

MATERIAL BODY: PASIVATED STAINLESS STEEL
 CENTER CONTACT: BRASS
 CONTACT PLATING: Au MIL-G-45204
 INSULATOR: TEFLON
 INTERFACE: MIL-STD-348B
 ROHS COMPLIANT

ASSEMBLY

TRIM & CHAMFER CABLE AS SHOWN,
 INSERT CABLE INTO SMA BODY,
 SOLDER CABLE JACKET



RECOMMENDED
STRIPPING

SLIDE CABLE INTO CONNECTOR, THEN SOLDER JACKET

				FAIRVIEW MICROWAVE INC.	
				ALLEN, TX 75013 WWW.FAIRVIEWMICROWAVE.COM	
				TITLE	
				SMA-M CONN .141SR SLIDE ON CENTER	
SIZE		CAGE CODE	DWG NO	REV	
A		3FKR5	SC3016	--	
SCALE			SHEET		