

SMA BIAS T 100-18000 MHZ 700 MA PIN

SB18000

SPECIFICATIONS

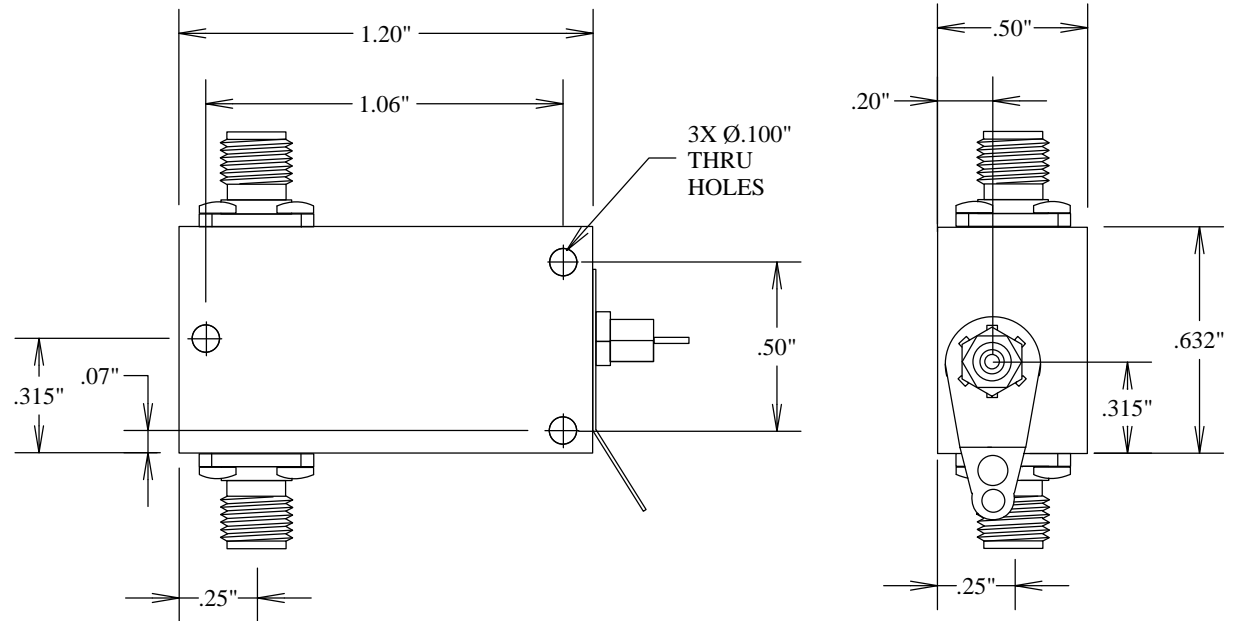
ELECTRICAL

FREQUENCY: 100-18000 MHZ
 IMPEDANCE: 50 OHMS
 VSWR: 1.60:1 MAX
 INSERTION LOSS: 2.0 DB MAX
 ISOLATION: 40 DB MIN
 VOLTAGE: 50 VDC MAX
 CURRENT: 700 MA MAX

MECHANICAL

MATERIAL CONNECTORS: PASSIVATED STAINLESS STEEL
 MATERIAL CONTACTS: Au PLATED BeCu

ROHS COMPLIANT



				FAIRVIEW MICROWAVE INC.			
				ALLEN, TX 75013 WWW.FAIRVIEWMICROWAVE.COM			
				TITLE			
				SMA BIAS T 100-18000 MHZ 700 MA PIN			
SIZE	CAGE CODE	DWG NO		SB18000		REV	
A	3FKR5					A	
SCALE				SHEET			