

# ATTENUATORS QMA M/F 6 GHZ

SA6Q-XX

## SPECIFICATIONS

### ELECTRICAL:

FREQUENCY: 0-6 GHZ  
 VSWR @ DC - 4 GHZ : 1.15 MAX  
 VSWR @ 4 - 6 GHZ: 1.25 MAX

### INSERTION LOSS

0-10 DB: ±0.30 DB  
 11-30 DB: ±0.50 DB  
 40 DB: ±0.75 DB

POWER (AVG) 2 WATTS @ 25 DEG C  
 POWER (PEAK) 250 WATTS

IMPEDANCE: 50 OHMS

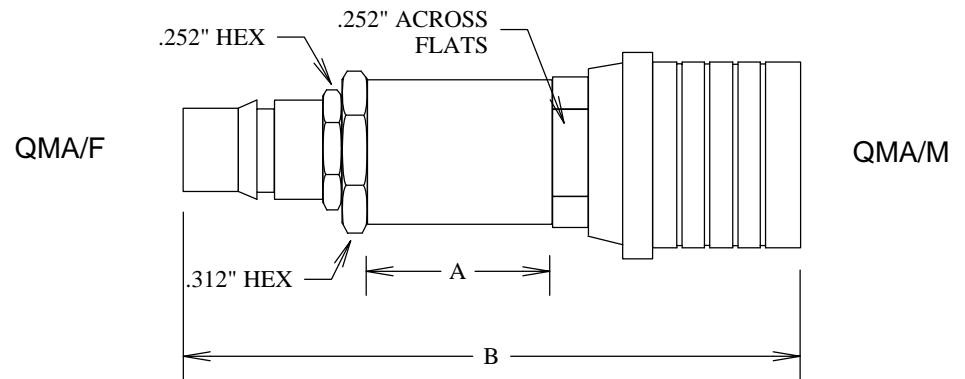
### MECHANICAL:

MATERIAL BODY: WHITE BRONZE  
 MATERIAL CONTACTS: Au PLATED BeCu

### ENVIRONMENTAL:

TEMP: -65 C TO +125 C

ROHS COMPLIANT



Length Reference		
dB value	"A"	"B"
0-12 & 20	.375"	1.43"
30 & 40	.520"	1.58"

**FAIRVIEW MICROWAVE INC.**

ALLEN, TX 75013 WWW.FAIRVIEWMICROWAVE.COM

TITLE

**ATTENUATORS QMA M/F 6 GHZ**

SIZE	CAGE CODE	DWG NO	REV
<b>A</b>	3FKR5	<b>SA6Q-XX</b>	<b>A</b>

SCALE	SHEET
-------	-------