

N M/F 5 WATTS 6 GHZ ATTENUATORS

SA6N5WA-XX

SPECIFICATIONS

ELECTRICAL:

FREQ: DC-6 GHZ
 VSWR: 1.25 MAX @ 6 GHZ
 POWER (AVG) 5 WATTS
 POWER DERATES LINEARLY TO 10% @ 125°C.
 IMPEDANCE: 50 OHMS

ATTENUATION ACCURACY:

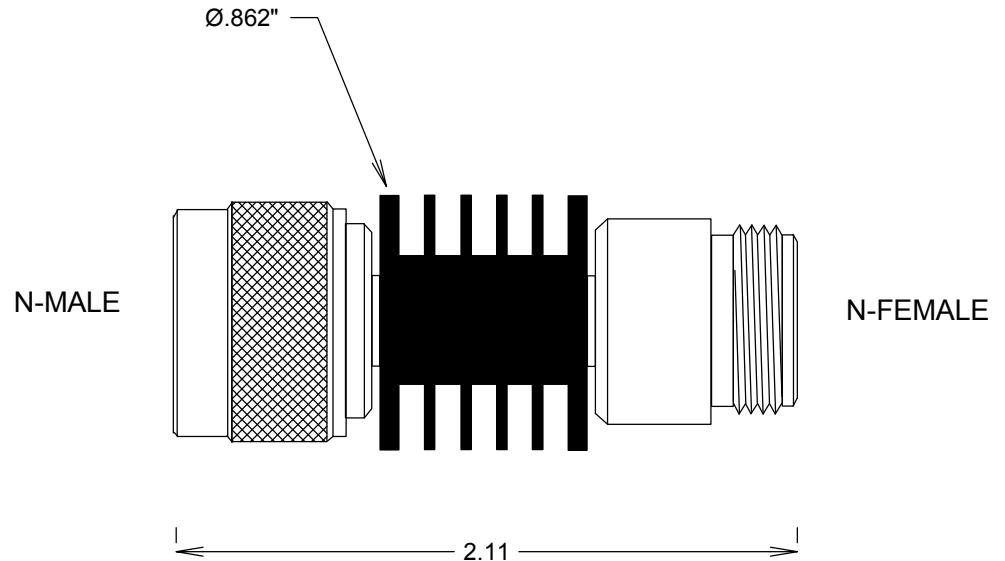
1-6 dB	± .5 dB
10 dB	± .75 dB
20 dB	± 1.00 dB
30 dB	± 1.25 dB

MECHANICAL:

MATERIAL BODY: PASSIVATED STAINLESS STEEL
 MATERIAL CONTACTS: BeCu
 CONTACT PLATING: Au PER MIL-G-45204

ENVIRONMENTAL:

TEMP: -65°C TO +125°C



FAIRVIEW MICROWAVE INC.

ALLEN, TX 75013 WWW.FAIRVIEWMICROWAVE.COM

TITLE

N M/F 5 WATTS 6 GHZ ATTENUATORS

SIZE	CAGE CODE	DWG NO	REV
A	3FKR5	SA6N5WA-XX	--

SCALE

SHEET