

ATTENUATORS N 250 WATTS 6GHZ

SA6N250-XX

SPECIFICATIONS

ELECTRICAL:

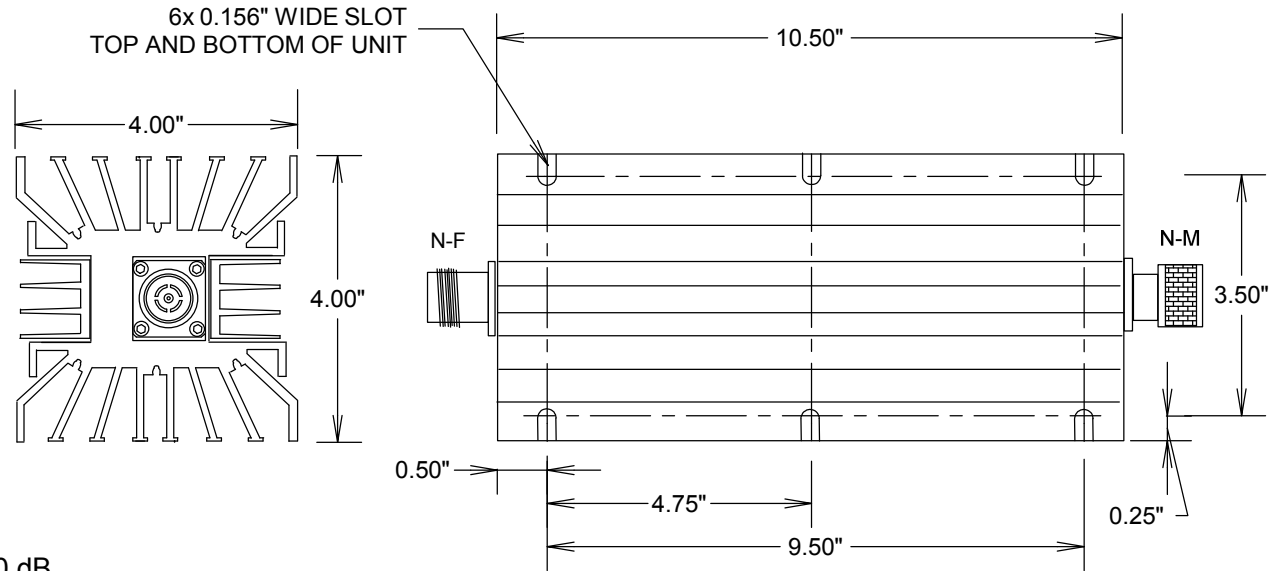
FREQUENCY: 0-6 GHZ
 VSWR @ 2.4 GHZ: 1.25:1 MAX
 VSWR @ 3 GHZ: 1.35:1 MAX
 VSWR @ 6 GHZ: 1.40:1 MAX
 POWER (AVG) 250 WATTS
 POWER (PEAK) 2000 WATTS
 ATTENUATION ACCURACY: TO 3GHz ± 1.0 dB
 3GHz TO 6GHz ± 2.0 dB
 IMPEDANCE: 50 OHMS

ENVIRONMENTAL:

TEMP: -55°C TO +125°C

MOUNTING SLOTS,
6 PLACES TOP & BOTTOM

ROHS COMPLIANT



FAIRVIEW MICROWAVE INC.

ALLEN, TX 75013 WWW.FAIRVIEWMICROWAVE.COM

TITLE

ATTENUATORS N 250 WATTS 6GHZ

SIZE

A

CAGE CODE

3FKR5

DWG NO

SA6N250-XX

REV

--

SCALE

SHEET