

# ATTENUATORS N M/F 10 WATTS

SA6N10W-XX

## SPECIFICATIONS

### ELECTRICAL:

FREQ: DC-6 GHZ

VSWR: 1.2:1 MAX

POWER (AVG) 10 WATTS @ 25 DEG C

POWER (PEAK) 1 KW

IMPEDANCE: 50 OHMS

### ATTENUATION ACCURACY

1-9 dB	± .3 dB
10-20 dB	± .5 dB
30 dB	± 1.00 dB

### MECHANICAL:

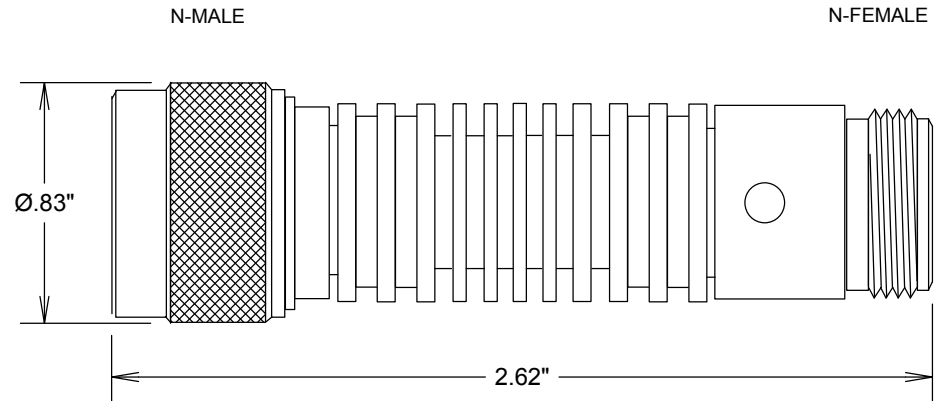
MATERIAL BODY: PASSIVATED STAINLESS STEEL

CONTACTS: Au PLATED BeCu

### ENVIRONMENTAL:

TEMP: -55 C TO +125 C

ROHS COMPLIANT



**FAIRVIEW MICROWAVE INC.**

ALLEN, TX 75013 WWW.FAIRVIEWMICROWAVE.COM

TITLE

**ATTENUATORS N M/F 10 WATTS**

SIZE <b>A</b>	CAGE CODE 3FKR5	DWG NO SA6N10W-XX	REV <b>A</b>
------------------	--------------------	----------------------	-----------------

SCALE

SHEET