

ATTENUATORS 2.4 M/F 50GHZ

SA5074-XX

SPECIFICATIONS

ELECTRICAL:

FREQUENCY: 0-50 GHZ
 VSWR @ 26.5 GHZ: 1.35:1 MAX
 VSWR @ 40GHZ: 1.6:1 MAX
 VSWR @ 50 GHZ: 1.75:1 MAX
 POWER (AVG) 1 WATT MAX
 POWER DERATES LINEARLY TO <10% AT 100° C
 IMPEDANCE: 50 OHMS
 ATTENUATION ACCURACY:

	0-26.5 GHZ	26.5-40 GHZ	40-50 GHZ
3-10 dB	±0.50 dB	±1.00 dB	±1.50 dB
20 & 30 dB	±0.75 dB	±1.25 dB	±2.00 dB

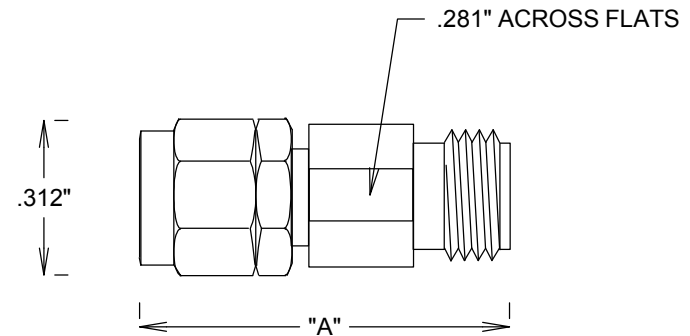
MECHANICAL:

MATERIAL BODY: PASSIVATED STAINLESS STEEL
 MATERIAL RING & CONTACTS: BeCu
 CENTER CONTACT: GOLD PLATED PER MIL-G-45204

ENVIRONMENTAL:

TEMP: -65 C TO +125 C

ROHS COMPLIANT



"A"	
0-20 dB	.871" ±.3"
30 dB	.911" ±.3"

FAIRVIEW MICROWAVE INC.

ALLEN, TX 75013 WWW.FAIRVIEWMICROWAVE.COM

TITLE

ATTENUATORS 2.4 M/F 50GHZ

SIZE	CAGE CODE	DWG NO	REV
A	3FKR5	SA5074-XX	--

SCALE

SHEET