

ATTENUATORS N M/F 4 GHZ 25 WATTS

SA4N251-XX

SPECIFICATIONS

ELECTRICAL:

FREQUENCY: 0-4 GHZ
 IMPEDANCE: 50 OHMS
 VSWR 1.25 MAX
 POWER (AVG) 25 WATTS @ 25 DEG C
 DERATED LINEARLY TO 2.5 W @ 125°C
 POWER (PEAK) 1 KW
 5µs PULSE WIDTH WITH 2.5% DUTY CYCLE

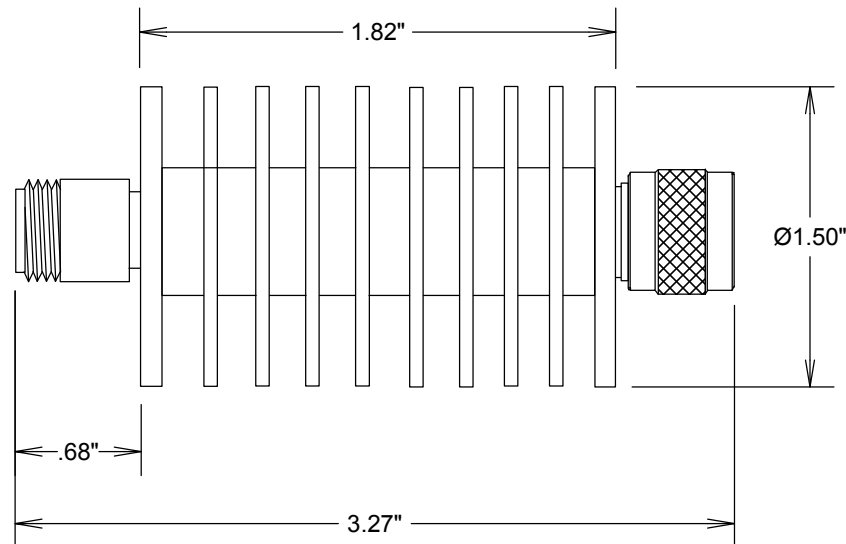
ATTENUATION ACCURACY				
1-9 dB	10 dB	20 dB	30 dB	40 dB
±0.5	±0.6	±0.75	±0.75	±1.0

MECHANICAL:

MATERIAL CONNECTORS: NICKEL PLATED BRASS
 MATERIAL CONTACTS MALE: Au PLATED BRASS
 MATERIAL CONTACTS FEMALE: Au PLATED BeCu

TEMP: -55 C TO +125 C

ROHS COMPLIANT



				FAIRVIEW MICROWAVE INC.	
				ALLEN, TX 75013 WWW.FAIRVIEWMICROWAVE.COM	
				TITLE	
				ATTENUATORS N M/F 4 GHZ 25 WATTS	
SIZE	CAGE CODE	DWG NO	REV		
A	3FKR5	SA4N251-XX	--		
SCALE			SHEET		