

ATTENUATORS SMB PLUG/JACK 4 GHZ

SA4B-XX

SPECIFICATIONS

ELECTRICAL:

FREQUENCY: 0-4 GHZ
 VSWR @ DC - 2 GHZ : 1.10:1 MAX
 VSWR @ 2 - 4 GHZ: 1.25:1 MAX

INSERTION LOSS

DC-2 GHZ (10 DB): ± 0.2 DB
 2-4 GHZ (10 DB): ± 0.3 DB

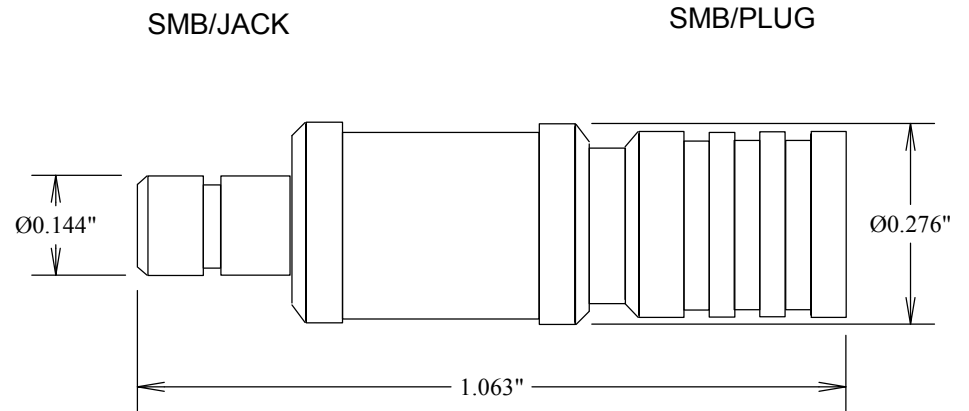
POWER (AVG) 2 WATTS @ 25 DEG C
 POWER (PEAK) 100 WATTS FOR 25 MICROSECONDS
 POWER COEFFICIENT: 0.001DB/W
 IMPEDANCE: 50 OHMS

MECHANICAL:

MATERIAL BODY: BRASS
 MATERIAL CONTACTS: BeCu
 INSULATOR: TEFLON

ENVIRONMENTAL:

TEMP: -50° C TO +80° C
 ROHS COMPLIANT



				FAIRVIEW MICROWAVE INC.			
				ALLEN, TX 75013 WWW.FAIRVIEWMICROWAVE.COM			
				TITLE			
				ATTENUATORS SMB PLUG/JACK 4 GHZ			
SIZE		CAGE CODE		DWG NO		REV	
A		3FKR5		SA4B-XX		--	
SCALE				SHEET			