

# 2.92 M/F ATTENUATOR 40GHZ 10 WATTS

SA4020-XX

## SPECIFICATIONS

### ELECTRICAL:

FREQUENCY: 0-40 GHZ  
 VSWR @ 18 GHZ: 1.25:1 MAX  
 VSWR @ 40GHZ: 1.40:1 MAX  
 POWER (AVG) 10 WATTS @ 25° C;  
 DERATES LINEARLY TO 0 W @ 125° C  
 POWER (PEAK) 200 WATTS  
 IMPEDANCE: 50 OHMS  
 ATTENUATION ACCURACY:  
 +/- 1 DB 0-18GHZ  
 +/- 1.75DB 18-40GHZ

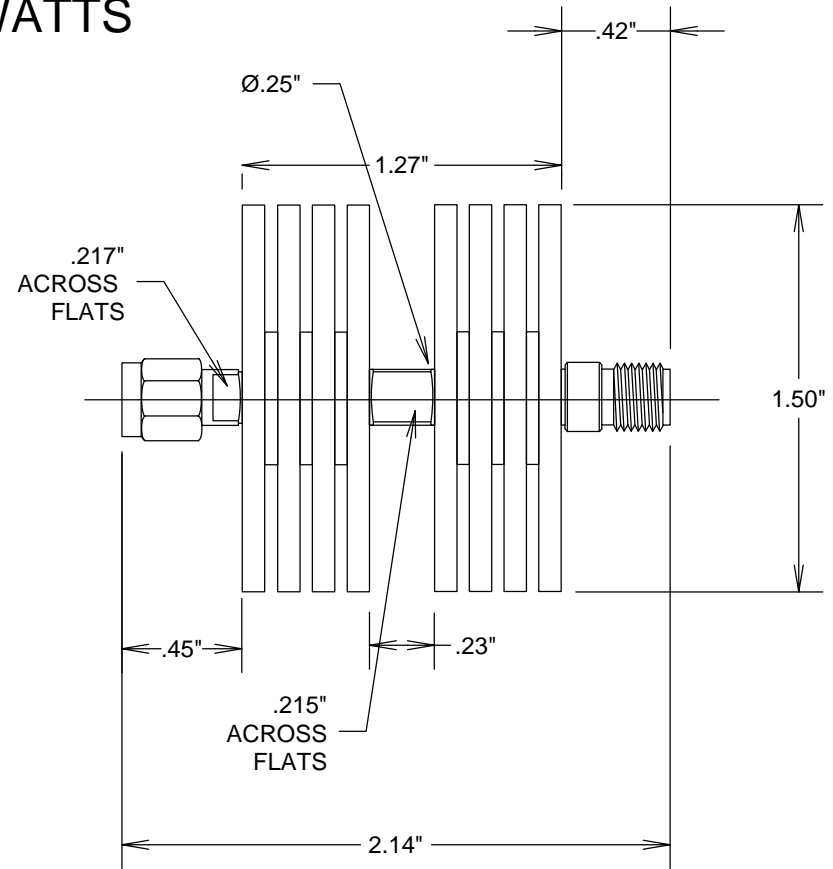
### MECHANICAL:

MATERIAL BODY: PASSIVATED STAINLESS STEEL  
 MATERIAL CONTACTS: BeCu  
 CONTACT MATERIAL: BeCu (F), BRASS (M)  
 CONTACT PLATING: Au PER MIL-G-45204

### ENVIRONMENTAL:

TEMP: -55° C TO +125° C

ROHS COMPLIANT



**FAIRVIEW MICROWAVE INC.**

ALLEN, TX 75013 WWW.FAIRVIEWMICROWAVE.COM

TITLE

**2.92 M/F ATTENUATOR 40GHZ 10 WATTS**

SIZE	CAGE CODE	DWG NO	REV
<b>A</b>	3FKR5	<b>SA4020-XX</b>	<b>A</b>
SCALE	SHEET		