

TNC ATTENUATORS

SA3T-XX

SPECIFICATIONS

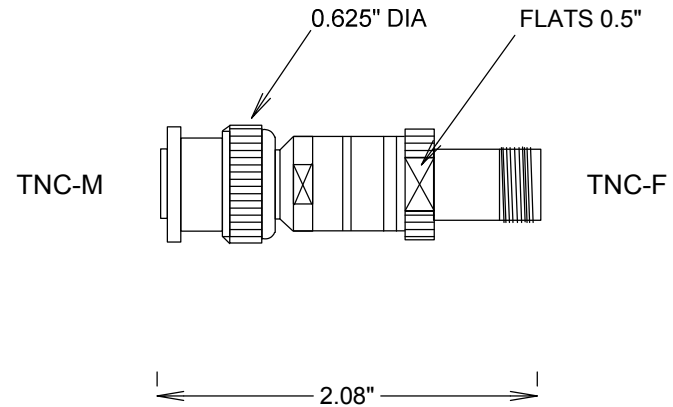
ELECTRICAL

FREQUENCY: 0-3 GHZ
IMPEDANCE: 50 OHMS
VSWR: 1.20:1 MAX
POWER: 1 WATT CW @ 25 DEG C

MECHANICAL

MATERIALS BODY : BRASS PER QQ-B-626
PLATING: TR-METAL (TIN-ZINC-COPPER)
CONTACT PLATING: Au

ROHS COMPLIANT



				FAIRVIEW MICROWAVE INC.			
				ALLEN, TX 75013 WWW.FAIRVIEWMICROWAVE.COM			
				TITLE			
				TNC ATTENUATORS			
SIZE		CAGE CODE	DWG NO		REV		
A		3FKR5	SA3T-XX		--		
SCALE			SHEET				