

SMA ATTENUATOR 3 GHZ 5 WATTS

SA3S5W-XX

SPECIFICATIONS

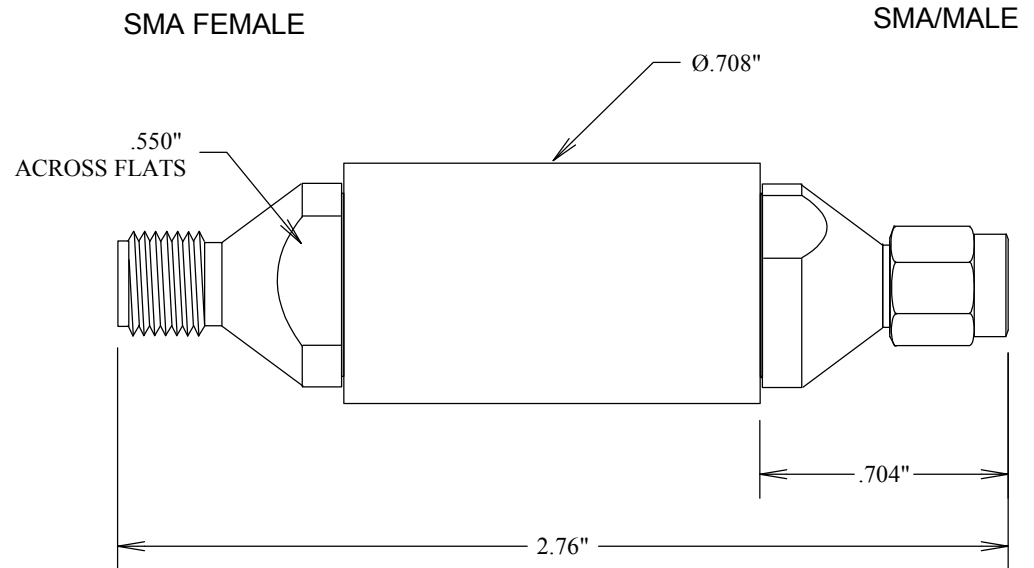
ELECTRICAL:
 FREQUENCY: 0-3 GHZ
 VSWR @ 1.20:1 MAX
 IMPEDANCE: 50 OHMS

ATTENUATION VALUE AND ACCURACY(dB)					
GHZ	1-4	4-9	10	20	30
DC-1	±0.4	±0.4	±0.4	±0.4	±0.4
1-2	±0.4	±0.4	±0.4	±0.4	±0.5
2-3	±0.4	±0.4	±0.5	±0.5	±0.7

POWER (AVG) 5 WATTS @ 25° C
 POWER (PEAK) 500 WATTS FOR
 5 MICROSECONDS PULSE WIDTH 1% DUTY CYCLE

MECHANICAL:
 MATERIAL BODY: BRASS
 MATERIAL CONTACTS: BeCu
 INSULATOR: TEFLON

ENVIRONMENTAL:
 TEMP: -55° C TO +125° C
 ROHS COMPLIANT



				FAIRVIEW MICROWAVE INC.	
				ALLEN, TX 75013 WWW.FAIRVIEWMICROWAVE.COM	
				TITLE	
				SMA ATTENUATOR 3 GHZ 5 WATTS	
SIZE	CAGE CODE	DWG NO	REV		
A	3FKR5	SA3S5W-XX	--		
SCALE			SHEET		