

# ATTENUATORS N 150 WATTS 3GHZ

SA3NS150-XX

## SPECIFICATIONS

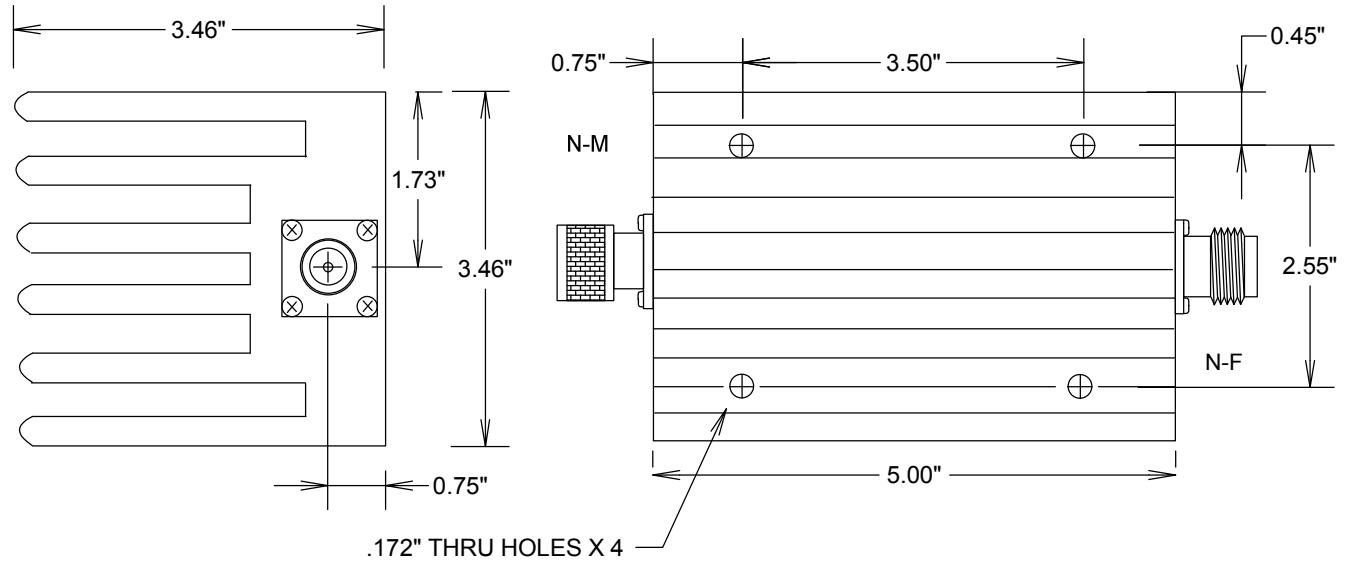
### ELECTRICAL:

FREQUENCY: 0-3 GHZ  
 VSWR @ 2.4 GHZ: 1.2:1 MAX  
 VSWR @ 3 GHZ: 1.3 MAX  
 POWER (AVG) 150 WATTS @ 25 DEG C  
 POWER (PEAK) 2000 WATTS  
 ATTENUATION ACCURACY: GREATER OF  
 +/-0.5DB OR 3%  
 IMPEDANCE: 50 OHMS

### ENVIRONMENTAL:

TEMP: -55 C TO +125 C

ROHS COMPLIANT



				<b>FAIRVIEW MICROWAVE INC.</b>	
				ALLEN, TX 75013 WWW.FAIRVIEWMICROWAVE.COM	
				TITLE	
				<b>ATTENUATORS N 150 WATTS 3GHZ</b>	
SIZE	CAGE CODE	DWG NO			REV
<b>A</b>	<b>3FKR5</b>	<b>SA3NS150-XX</b>			
SCALE					SHEET