

ATTENUATORS N 50 WATTS 3GHZ LOW PROFILE

SA3N50S-XX

SPECIFICATIONS

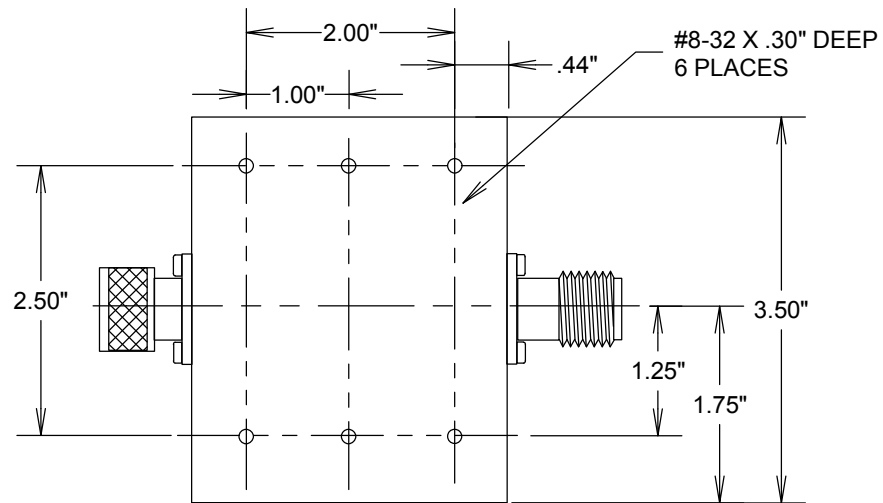
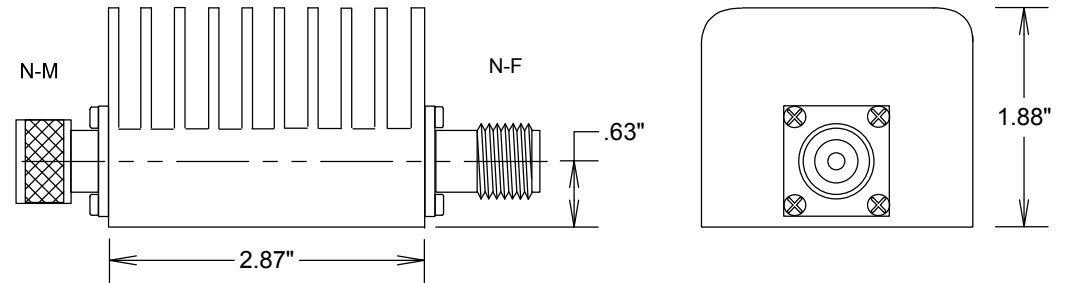
ELECTRICAL:

FREQUENCY: 0-3 GHZ
 VSWR @ 1 GHZ: 1.15:1 MAX
 VSWR @ 2.4 GHZ: 1.2:1 MAX
 VSWR @ 3 GHZ: 1.25 MAX
 POWER (AVG) 50 WATTS @ 25 DEG C
 POWER (PEAK) 2000 WATTS
 ATTENUATION ACCURACY: GREATER OF
 +/-0.5DB OR 3%
 IMPEDANCE: 50 OHMS

ENVIRONMENTAL:

TEMP: -55 C TO +125 C

ROHS COMPLIANT



FAIRVIEW MICROWAVE INC.

ALLEN, TX 75013 WWW.FAIRVIEWMICROWAVE.COM

TITLE

**ATTENUATORS N 50 WATTS 3GHZ
LOW PROFILE**

SIZE

A

CAGE CODE

3FKR5

DWG NO

SA3N50S-XX

REV

--

SCALE

SHEET