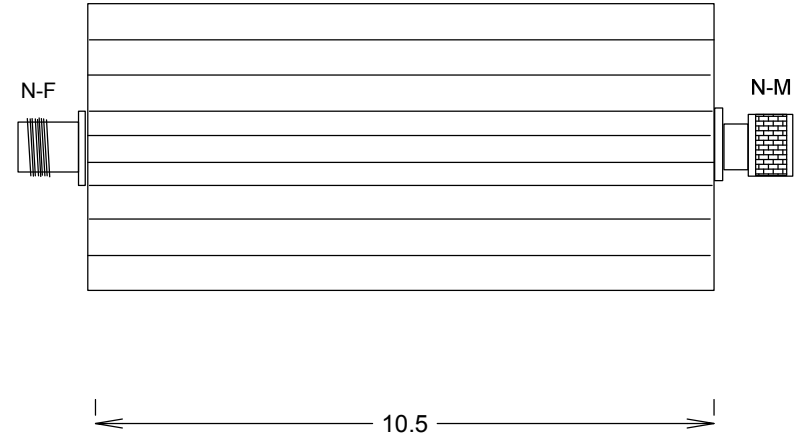
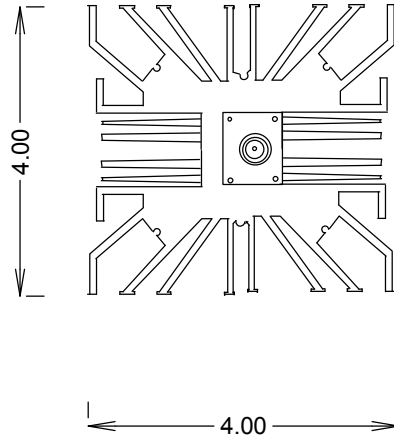


SPECIFICATIONS

ELECTRICAL:

FREQUENCY: 0-3 GHZ
 VSWR @ 1 GHZ: 1.15:1 MAX
 VSWR @ 2.4 GHZ: 1.2:1 MAX
 VSWR @ 3 GHZ: 1.3 MAX
 POWER (AVG) 250 WATTS @ 25 DEG C
 POWER (PEAK) 2000 WATTS
 ATTENUATION ACCURACY: GREATER OF
 +/-0.5DB OR 3% TO 2.4GHZ; GREATER OF
 +/- .75DB OR 5% TO 3 GHZ
 IMPEDANCE: 50 OHMS



ENVIRONMENTAL:

TEMP: -55 C TO +125 C

AVAILABLE OPTIONS:

N F/F CONNECTORS: SA3N250-XXF
 MOUNTING SLOTS, 6 PLACES TOP & BOTTOM: SA250N-XXS

ROHS COMPLIANT

				FAIRVIEW MICROWAVE INC.	
				ALLEN, TX 75013 WWW.FAIRVIEWMICROWAVE.COM	
				TITLE	
				ATTENUATORS N 250 WATTS 3GHZ	
SIZE	CAGE CODE	DWG NO			REV
A	3FKR5	SA3N250-XX			
SCALE					SHEET