

ATTENUATORS N 25 WATTS 3GHZ

SA3N25-XX

SPECIFICATIONS

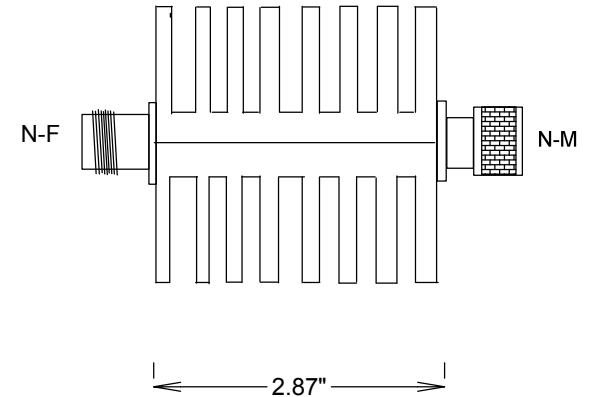
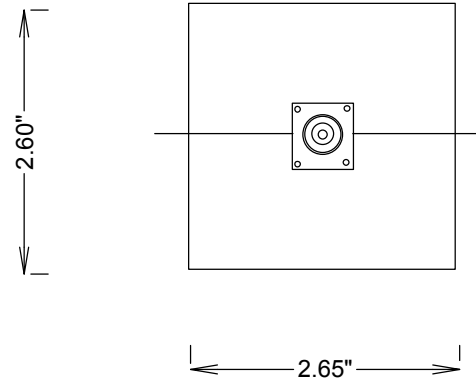
ELECTRICAL:

FREQUENCY: 0-3 GHZ
 VSWR @ 1 GHZ: 1.15:1 MAX
 VSWR @ 2.4 GHZ: 1.2:1 MAX
 VSWR @ 3 GHZ: 1.25 MAX
 POWER (AVG) 25 WATTS @ 25 DEG C
 POWER (PEAK) 2000 WATTS
 ATTENUATION ACCURACY: GREATER OF
 +/-0.5DB OR 3%
 IMPEDANCE: 50 OHMS

ENVIRONMENTAL:

TEMP: -55 C TO +125 C

ROHS COMPLIANT



				FAIRVIEW MICROWAVE INC.	
				ALLEN, TX 75013 WWW.FAIRVIEWMICROWAVE.COM	
				TITLE	
				ATTENUATORS N 25 WATTS 3GHZ	
SIZE	CAGE CODE	DWG NO			REV
A	3FKR5	SA3N25-XX			--
SCALE					SHEET