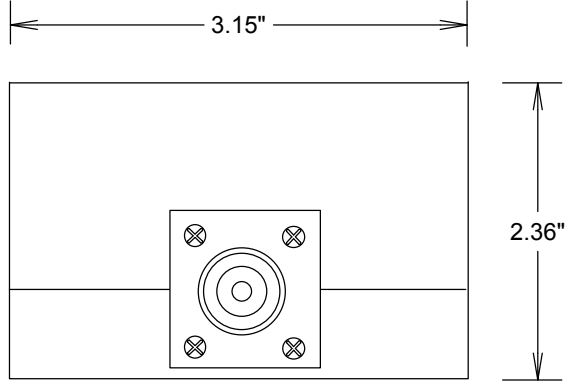
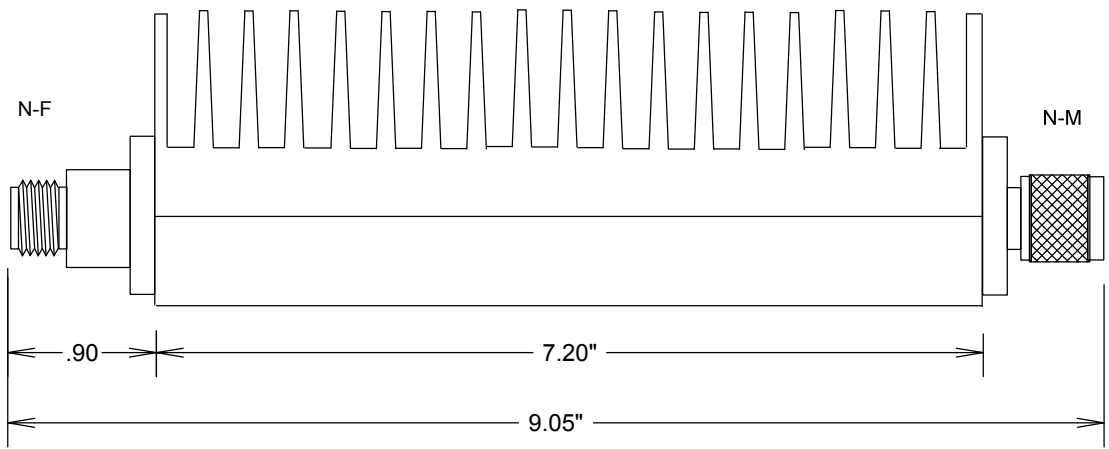


ATTENUATORS N 100 WATTS 3 GHZ

SA3N1007-XX



SPECIFICATIONS

ELECTRICAL:

FREQUENCY: 0-3 GHZ
 IMPEDANCE: 50 OHMS
 VSWR @ 3 GHZ: 1.30 MAX
 POWER (AVG) 100 WATTS @ 25° C
 DERATED LINEARLY TO 10W @ 125°C
 POWER (PEAK) 10 KW
 5 μs PULSE WIDTH WITH 1% DUTY CYCLE

MATERIALS:

CONNECTORS: NICKEL PLATED BRASS
 CONTACTS: Au PLATED BeCu

ENVIRONMENTAL:

TEMP: -55 C TO +125 C

ROHS COMPLIANT

ATTENUATION ACCURACY				
1-9 dB	10 dB	20 dB	30 dB	40 dB
±0.6	±0.6	±0.6	±0.6	±0.6

				FAIRVIEW MICROWAVE INC. ALLEN, TX 75013 WWW.FAIRVIEWMICROWAVE.COM	
SIZE	CAGE CODE	DWG NO	REV		
A	3FKR5	SA3N1007-XX	--		
SCALE			SHEET		