

# STEP ATTEN. N-F'S 3GHZ 50DB 1DB STEPS

SA3550N

## SPECIFICATIONS

### ELECTRICAL:

FREQUENCY: 0-3 GHZ  
 ATTENUATION RANGE: 0-5DB  
 ATTENUATION STEPS: 1DB  
 LARGE KNOB: 10DB STEPS  
 SMALL KNOB 1DB STEPS

VSWR @ 1GHZ: 1.3:1 MAX  
 VSWR @ 2GHZ: 1.4:1 MAX  
 VSWR @ 3GHZ: 1.5:1 MAX  
 POWER (AVG) 2 WATTS @ 25 DEG C  
 POWER (PEAK) 1KW  
 IMPEDANCE: 50 OHMS

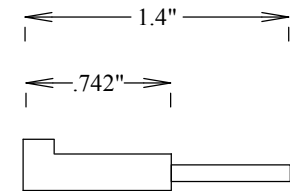
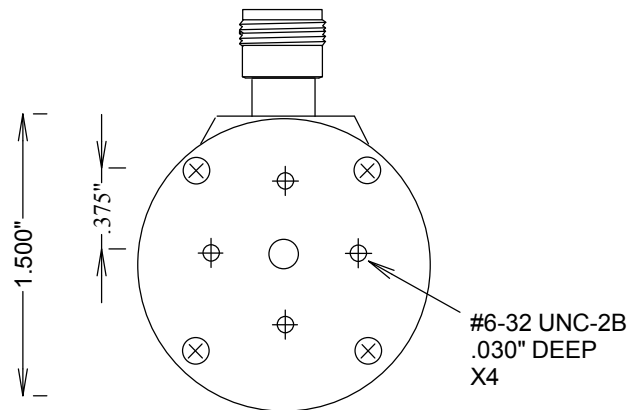
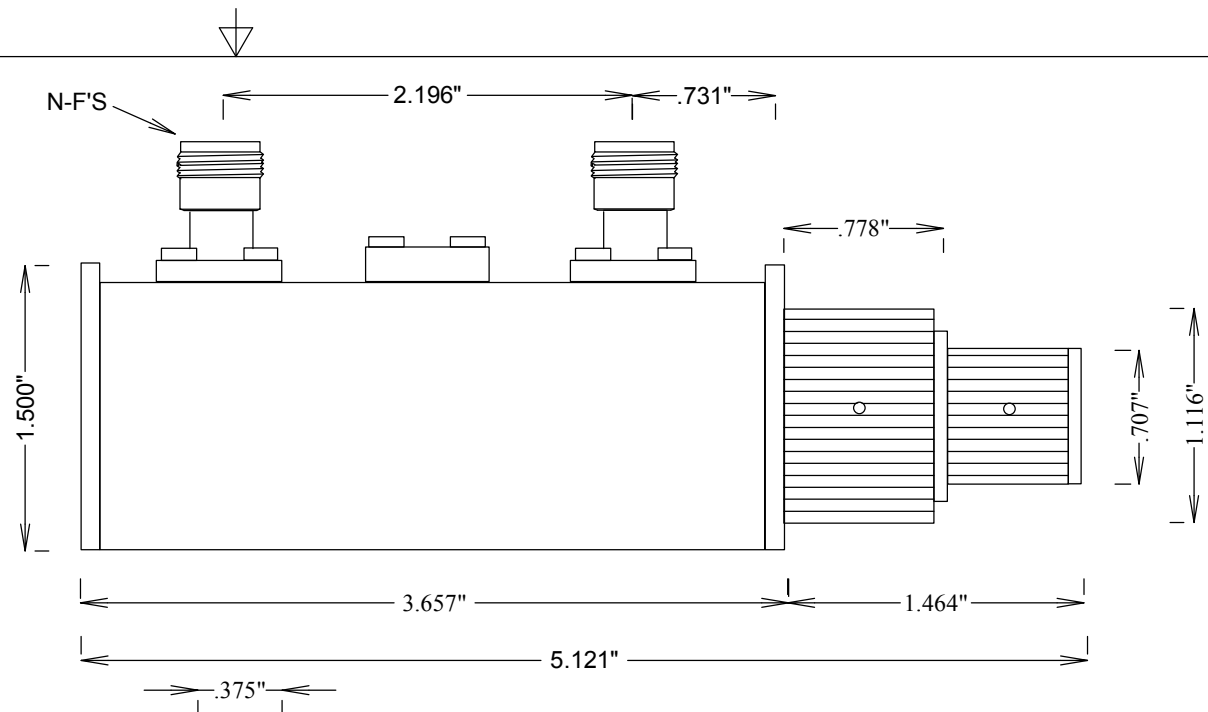
ATTENUATION ACCURACY:  
 GREATER OF +/- .25DB OR 1.5% @ 1GHZ  
 GREATER OF +/- .35DB OR 2.0% @ 2GHZ  
 GREATER OF +/- .50DB OR 3.0% @ 3GHZ

INSERTION LOSS:  
 0.6DB MAX @ 1GHZ  
 1.0DB MAX @ 2GHZ  
 1.5DB MAX @ 3GHZ

### ENVIRONMENTAL:

TEMP: -55° C TO +100° C

ROHS COMPLIANT



KNOB HANDLE

**FAIRVIEW MICROWAVE INC.**

ALLEN, TX 75013 WWW.FAIRVIEWMICROWAVE.COM

TITLE

**STEP ATTEN. N-F'S 3GHZ  
50DB 1DB STEPS**

SIZE	CAGE CODE	DWG NO	REV
<b>A</b>	3FKR5	<b>SA3550N</b>	--
SCALE	SHEET		