

STEP ATTEN. N-F'S 3GHZ 100DB 10DB STEPS

SA35100N

SPECIFICATIONS

ELECTRICAL:

FREQUENCY: 0-3 GHZ
 ATTENUATION RANGE: 0-50 DB
 ATTENUATION STEPS: 1DB
 LARGE KNOB: 10 DB STEPS
 SMALL KNOB 1 DB STEPS

VSWR @ 1GHZ: 1.3:1 MAX
 VSWR @ 2GHZ: 1.4:1 MAX
 VSWR @ 3GHZ: 1.5:1 MAX
 POWER (AVG) 2 WATTS @ 25 DEG C
 POWER (PEAK) 1KW
 IMPEDANCE: 50 OHMS

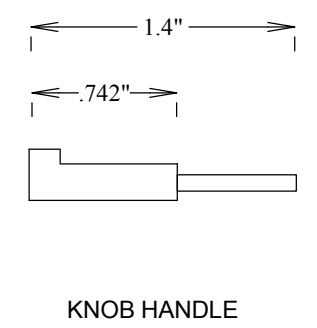
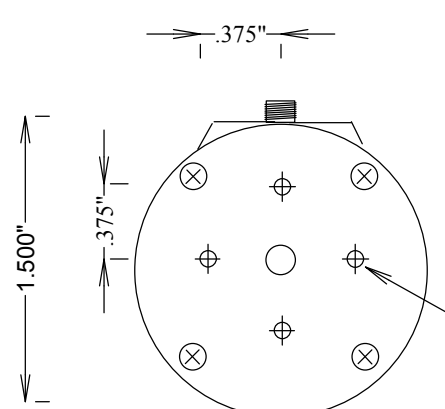
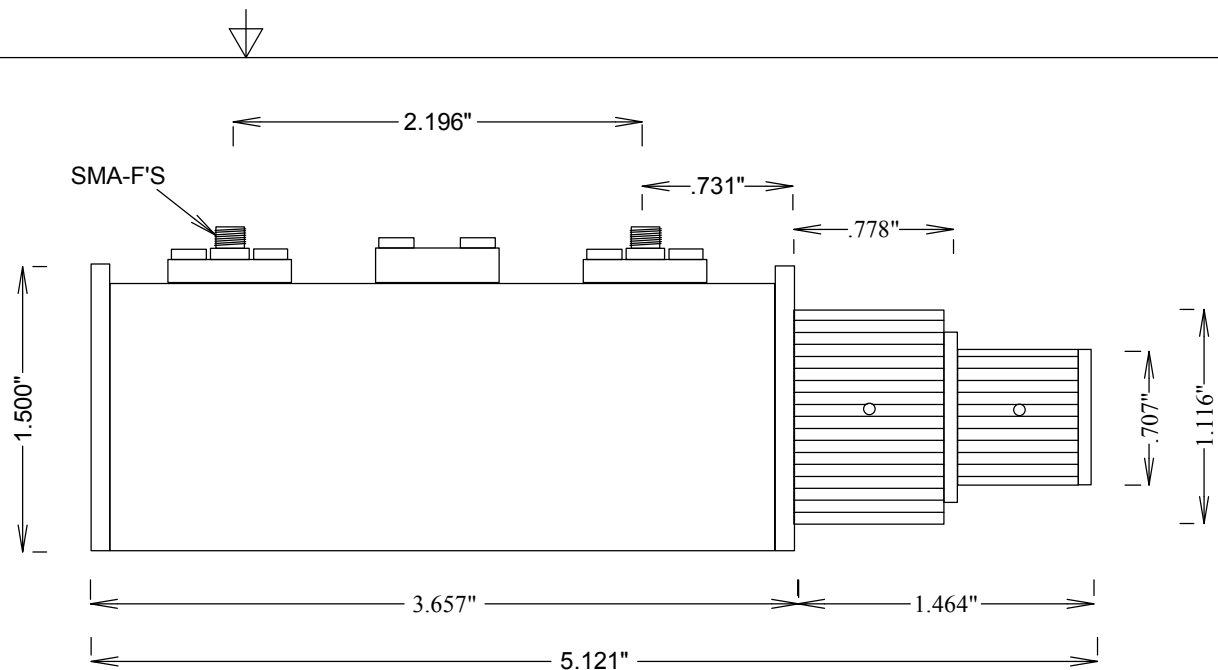
ATTENUATION ACCURACY:
 GREATER OF +/- .25DB OR 1.5% @ 1GHZ
 GREATER OF +/- .35DB OR 2.0% @ 2GHZ
 GREATER OF +/- .50DB OR 3.0% @ 3GHZ

INSERTION LOSS:
 0.6DB MAX @ 1GHZ
 1.0DB MAX @ 2GHZ
 1.5DB MAX @ 3GHZ

ENVIRONMENTAL:

TEMP: -55° C TO +100° C

ROHS COMPLIANT



| | | | | | | | |
|----------|--|-----------|--|---|--|-----|--|
| | | | | FAIRVIEW MICROWAVE INC. | | | |
| | | | | ALLEN, TX 75013 WWW.FAIRVIEWMICROWAVE.COM | | | |
| | | | | TITLE | | | |
| | | | | STEP ATTEN. SMA-F'S 3GHZ | | | |
| | | | | 50DB 1DB STEPS | | | |
| SIZE | | CAGE CODE | | DWG NO | | REV | |
| A | | 3FKR5 | | SA3550 | | A | |
| SCALE | | | | SHEET | | | |