

STEP ATTEN. N-F'S 3GHZ  
100DB 10DB STEPS

SA35100N

## SPECIFICATIONS

### ELECTRICAL:

FREQUENCY: 0-3 GHZ  
ATTENUATION RANGE: 0-100 DB  
ATTENUATION STEPS: 10DB

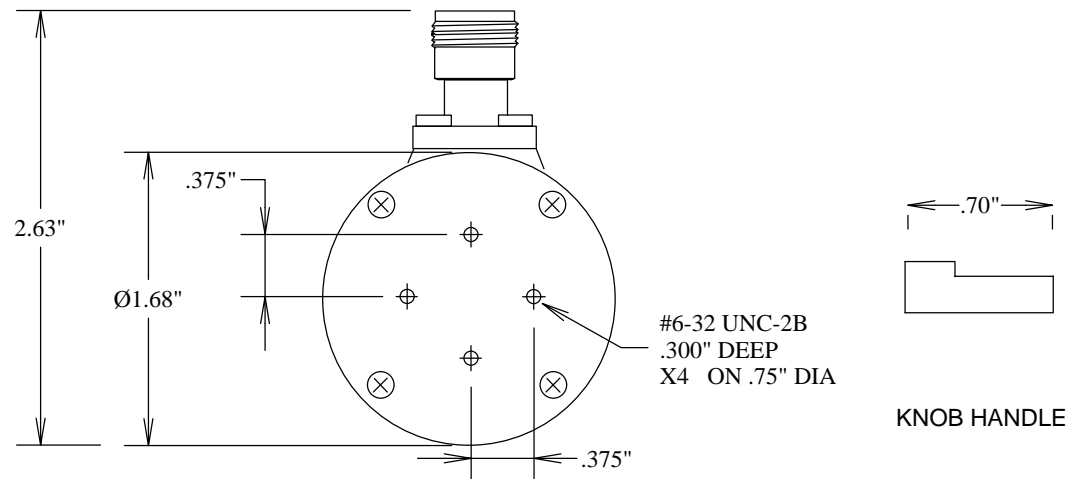
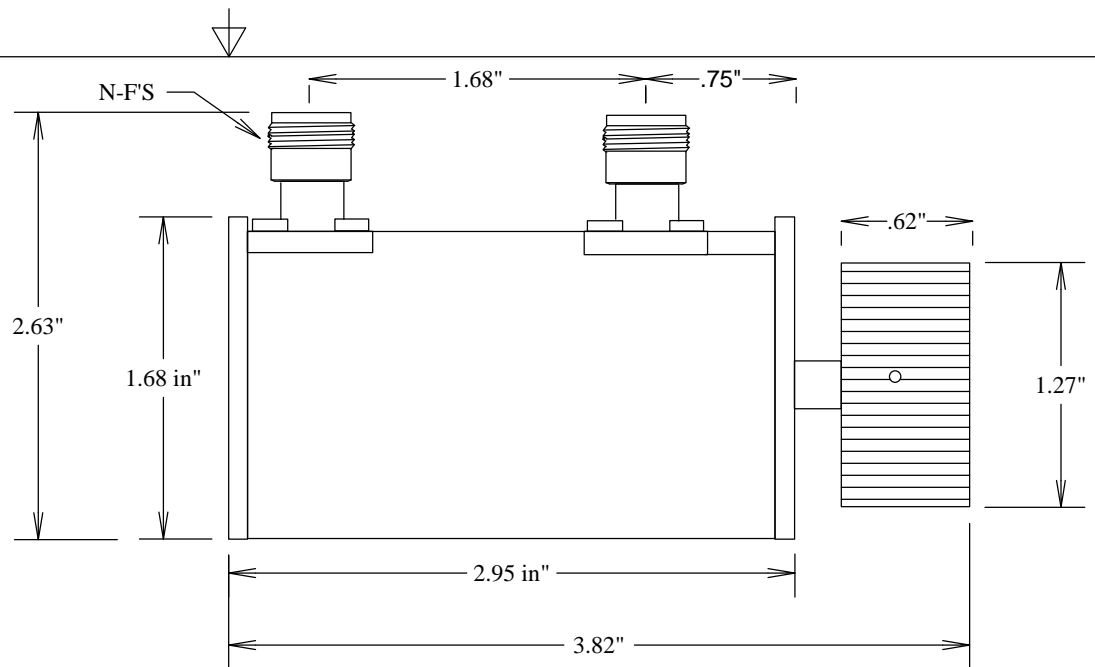
VSWR @ 1GHZ: 1.25:1 MAX  
VSWR @ 2GHZ: 1.35:1 MAX  
VSWR @ 3GHZ: 1.5:1 MAX  
POWER (AVG) 2 WATTS @ 25 DEG C  
POWER (PEAK) 1KW  
IMPEDANCE: 50 OHMS

ATTENUATION ACCURACY:  
GREATER OF +/- .25DB  
GREATER OF +/- .35DB  
GREATER OF +/- .50DB

INSERTION LOSS  
.25DB MAX @ 1GHZ  
.50DB MAX @ 2GHZ  
.75DB MAX @ 3GHZ

ENVIRONMENTAL:  
TEMP: -55° C TO +100° C

ROHS COMPLIANT



**FAIRVIEW MICROWAVE INC.**

ALLEN, TX 75013 WWW.FAIRVIEWMICROWAVE.COM

TITLE

**STEP ATTEN. N-F'S 3GHZ  
100DB 10DB STEPS**

SIZE

**A**

CAGE CODE

**3FKR5**

DWG NO

**SA35100N**

REV

**A**

SCALE

SHEET