

STEP ATTEN. N-F'S 3GHZ
100DB 10DB STEPS

SA35100N

SPECIFICATIONS

ELECTRICAL:

FREQUENCY: 0-3 GHZ
ATTENUATION RANGE: 0-100 DB
ATTENUATION STEPS: 10DB

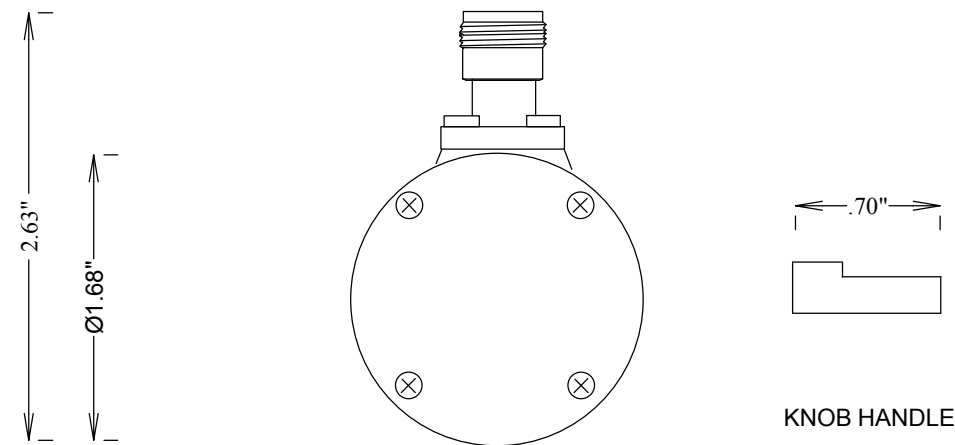
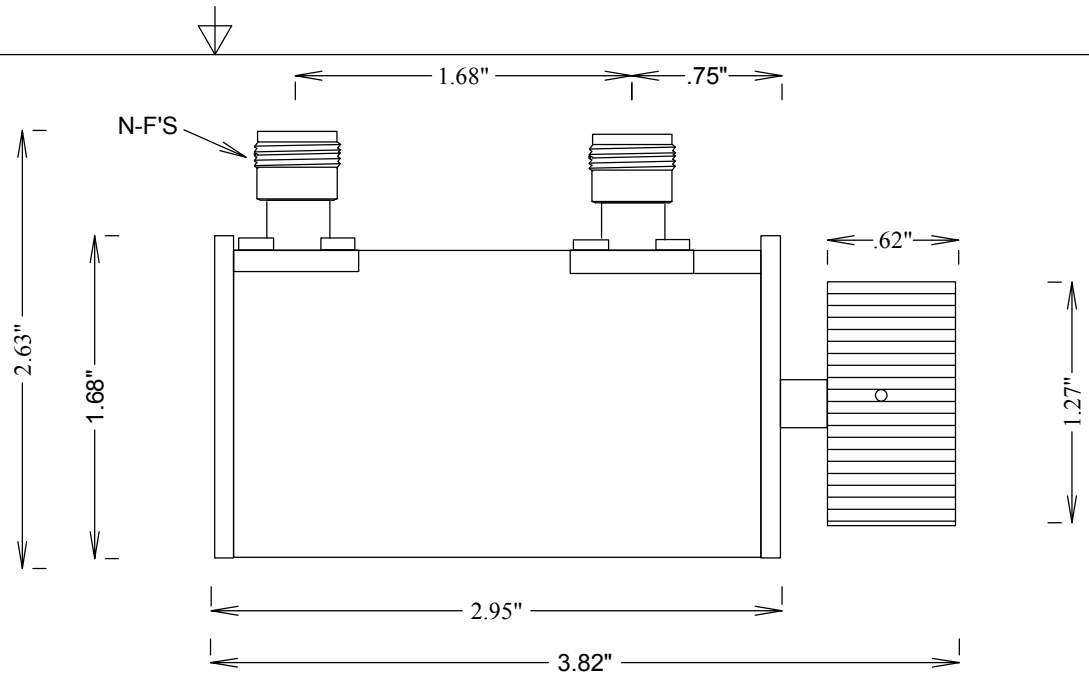
VSWR @ 1GHZ: 1.25:1 MAX
VSWR @ 2GHZ: 1.35:1 MAX
VSWR @ 3GHZ: 1.5:1 MAX
POWER (AVG) 2 WATTS @ 25 DEG C
POWER (PEAK) 1KW
IMPEDANCE: 50 OHMS

ATTENUATION ACCURACY:
GREATER OF +/- .25DB
GREATER OF +/- .35DB
GREATER OF +/- .50DB

INSERTION LOSS
.25DB MAX @ 1GHZ
.50DB MAX @ 2GHZ
.75DB MAX @ 3GHZ

ENVIRONMENTAL:
TEMP: -55° C TO +100° C

ROHS COMPLIANT



				FAIRVIEW MICROWAVE INC.	
				ALLEN, TX 75013 WWW.FAIRVIEWMICROWAVE.COM	
				TITLE	
				STEP ATTEN. N-F'S 3GHZ 100DB 10DB STEPS	
		SIZE	CAGE CODE	DWG NO	REV
		A	3FKR5	SA35100N	--
				SCALE	SHEET