

ATTENUATORS N M/F 5 WATTS

SA18N5WA-XX

SPECIFICATIONS

ELECTRICAL:

FREQ: DC-18 GHZ
 VSWR: 1.15 MAX @ 4 GHZ
 1.25 MAX @ 12.4GHZ
 1.35 MAX @ 18GHZ
 POWER (AVG) 5 WATTS
 POWER DERATES LINEARLY TO 10% @ 125°C.
 IMPEDANCE: 50 OHMS

ATTENUATION ACCURACY:

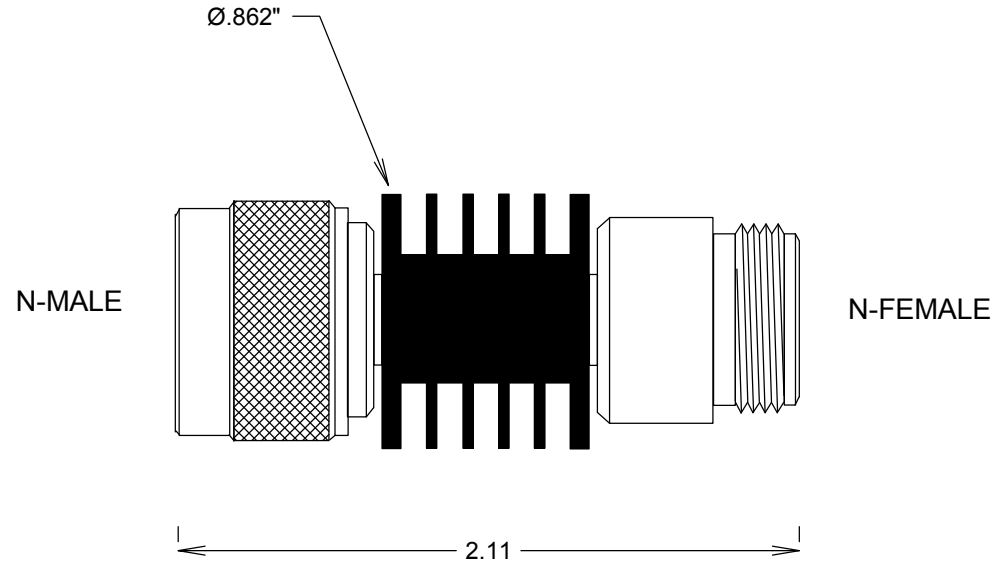
1-6 dB	± .5 dB
10 dB	± .75 dB
20-30 dB	± 1.00 dB

MECHANICAL:

MATERIAL BODY: PASSIVATED STAINLESS STEEL
 MATERIAL CONTACTS: BeCu
 CONTACT PLATING: Au PER MIL-G-45204

ENVIRONMENTAL:

TEMP: -65°C TO +125°C



FAIRVIEW MICROWAVE INC.			
ALLEN, TX 75013 WWW.FAIRVIEWMICROWAVE.COM			
TITLE			
ATTENUATORS N M/F 5 WATTS			
SIZE	CAGE CODE	DWG NO	REV
A	3FKR5	SA18N5WA-XX	--
SCALE		SHEET	