

ATTENUATORS N 50 WATTS 18 GHZ

SA18N507-XX

SPECIFICATIONS

ELECTRICAL:

FREQUENCY: 0-18 GHZ
 VSWR @ 6 GHZ: 1.25:1 MAX
 VSWR @ 12.4 GHZ: 1.35:1 MAX
 VSWR @ 18 GHZ: 1.45 MAX
 POWER (AVG) 50 WATTS @ 25° C
 POWER DERATES LINEARLY TO 10 WATT @ +125°C
 POWER (PEAK) 500 WATTS
 (5µsec, 0.05% DUTY CYCLE)
 IMPEDANCE: 50 OHMS

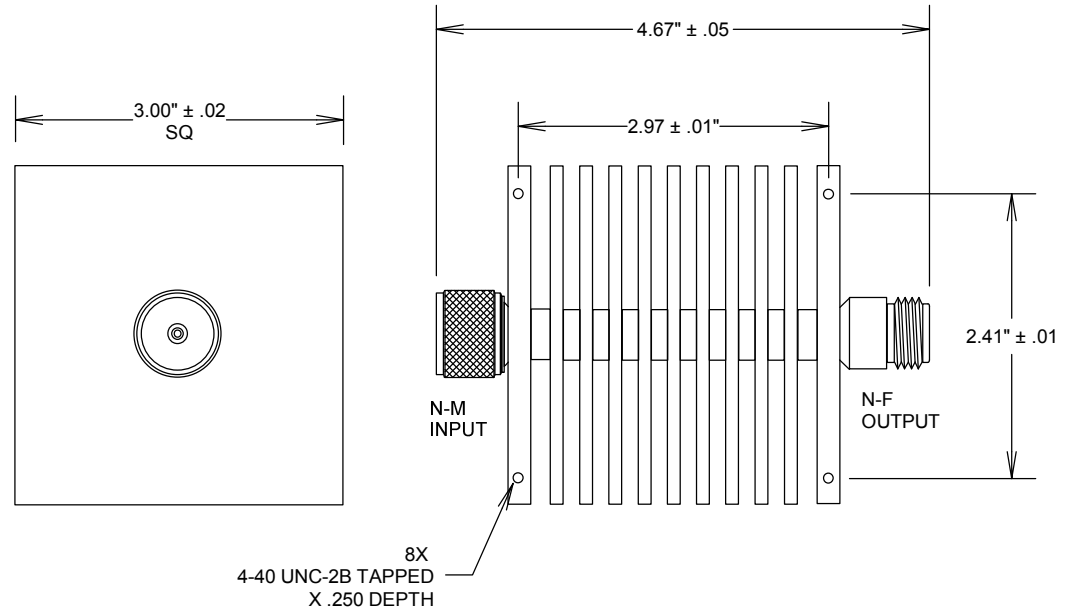
ATTENUATION ACCURACY:

	DC-6 GHZ	6-12.4 GHZ	12.4-18 GHZ
10 dB	±.75 dB	±.75 dB	±1.00 dB
20 dB	±.75 dB	±.75 dB	±1.00 dB
30 dB	±.75 dB	±1.00 dB	±1.25 dB
40 dB	±1.00 dB	±1.25 dB	±1.50 dB

ENVIRONMENTAL:

MATERIALS CONNECTOR: PASSIVATED
 STAINLESS STEEL
 MATERIALS CONTACT: BeCu
 CONTACT PLATING: Au PER MIL-G-45204
 HEAT SINK: BLACK ANODIZED ALUMINUM
 TEMP: -65°C TO +125°C

ROHS COMPLIANT



				FAIRVIEW MICROWAVE INC.			
				ALLEN, TX 75013 WWW.FAIRVIEWMICROWAVE.COM			
				TITLE			
				ATTENUATORS N 50 WATTS 18 GHZ			
SIZE		CAGE CODE		DWG NO		REV	
A		3FKR5		SA18N507-XX			
SCALE				SHEET			