

# ATTENUATORS N M/F 18GHZ 25W

SA18N25WA

## SPECIFICATIONS

### ELECTRICAL:

FREQUENCY: 0-18 GHZ

VSWR 1.20 MAX TO 8 GHZ  
1.25 MAX TO 12 GHZ  
1.35 MAX TO 18 GHZ

POWER (AVG) 25 WATTS @ 25 DEG C

POWER (PEAK) 1000 WATTS

POWER DERATED LINEARLY TO  
2.5 WATTS @ 125 DEG C

IMPEDANCE: 50 OHMS

ATTENUATION ACCURACY:

3 & 6 & 10 DB - .5  
20DB - .75  
30 & 40 DB - 1

BIDIRECTIONAL

### MECHANICAL:

MATERIAL CONNECTORS: PASSIVATED STAINLESS STEEL

MATERIAL RING & CONTACTS: BeCu

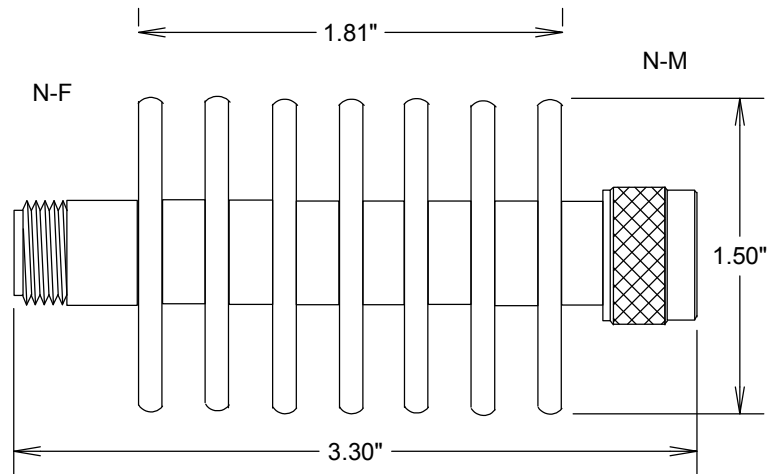
CENTER CONTACT: GOLD PLATED PER MIL-G-45204

INTERFACE: MIL-STD-348B

INSULATOR: TEFLON

TEMP: -55 C TO +125 C

ROHS COMPLIANT



**FAIRVIEW MICROWAVE INC.**

ALLEN, TX 75013 WWW.FAIRVIEWMICROWAVE.COM

TITLE

**ATTENUATORS N M/F 18GHZ 25W**

SIZE	CAGE CODE	DWG NO	REV
<b>A</b>	3FKR5	SA18N25WA	--

SCALE

SHEET