

ATTENUATORS N M/F 10 WATTS

SA18N10W-XX

SPECIFICATIONS

ELECTRICAL:

FREQ: DC-18 GHZ
 VSWR: 1.2:1 @ 8 GHZ
 VSWR: 1.3:1 @ 12.4 GHZ
 VSWR 1.35:1 @ 18 GHZ
 POWER (AVG) 10 WATTS @ 25° C
 POWER DERATED LINEARLY TO 0 W @ 125° C

IMPEDANCE: 50 OHMS

ATTENUATION ACCURACY

1-9 dB	± .3 dB
10 dB	± .5 dB
20 dB	± .7 dB
30 dB	± 1.00 dB

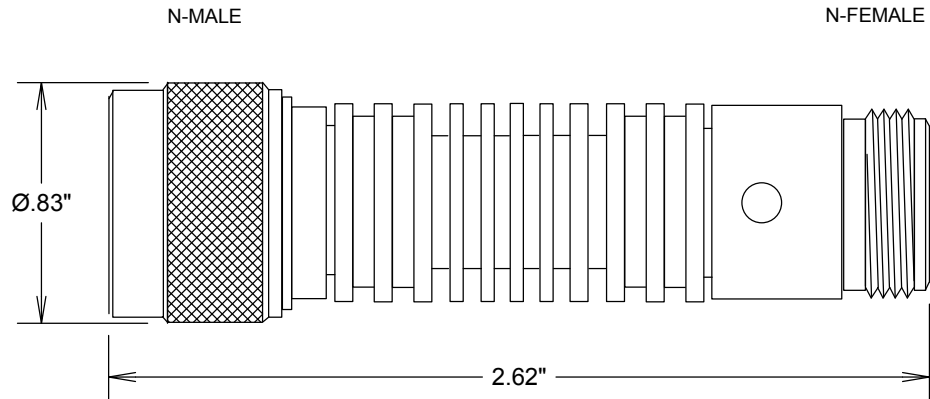
MECHANICAL:

MATERIAL BODY: PASSIVATED STAINLESS STEEL
 MATERIAL CONTACTS: BeCu
 CONTACT PLATING: Au PER MIL-G-45204

ENVIRONMENTAL:

TEMP: -55 C TO +125 C

ROHS COMPLIANT



<p>MATERIAL BODY: PASSIVATED STAINLESS STEEL MATERIAL CONTACTS: BeCu CONTACT PLATING: Au PER MIL-G-45204</p>		<p>FAIRVIEW MICROWAVE INC. ALLEN, TX 75013 WWW.FAIRVIEWMICROWAVE.COM</p>		
		<p>TITLE ATTENUATORS N M/F 10 WATTS</p>		
SIZE	CAGE CODE	DWG NO	REV	
A	3FKR5	SA18N10W-XX	--	
SCALE		SHEET		