

ATTENUATORS SMA M/F 18 GHZ

SA18L-XX

SPECIFICATIONS

ELECTRICAL:

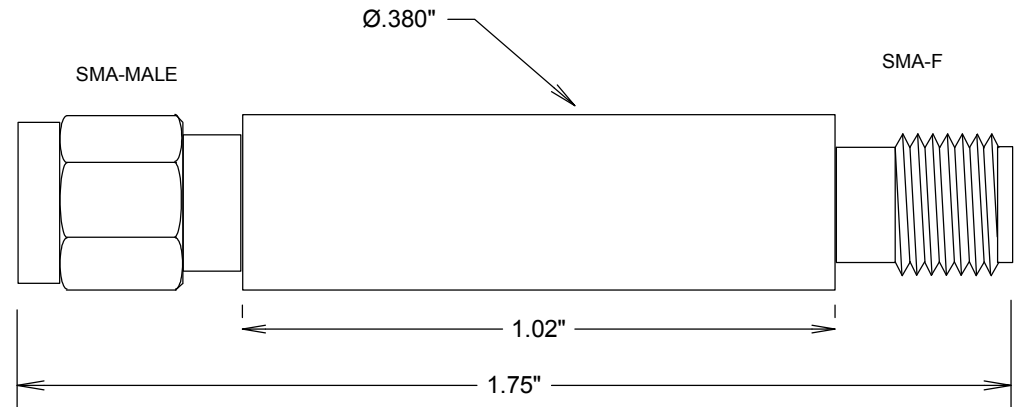
FREQUENCY: 0-18 GHZ
 VSWR 1.35:1 MAX
 POWER (AVG) 2 WATTS
 POWER (PEAK) 500 WATTS
 IMPEDANCE: 50 OHMS
 ATTENUATION ACCURACY:
 GREATER OF +/- .3 DB OR 3%

MECHANICAL:

MATERIAL BODY: PASSIVATED STAINLESS STEEL
 MATERIAL CONTACTS: BeCu
 CENTER CONTACT: GOLD PLATED PER MIL-G-45204

ENVIRONMENTAL:

TEMP: -65 C TO +125 C
 ROHS COMPLIANT



				FAIRVIEW MICROWAVE INC.	
				ALLEN, TX 75013 WWW.FAIRVIEWMICROWAVE.COM	
				TITLE	
				ATTENUATORS SMA M/F 18 GHZ	
SIZE	CAGE CODE	DWG NO	REV		
A	3FKR5	SA18L-XX	--		
SCALE			SHEET		