

# SMA M/F 18 GHZ ATTENUATOR WITH HEX

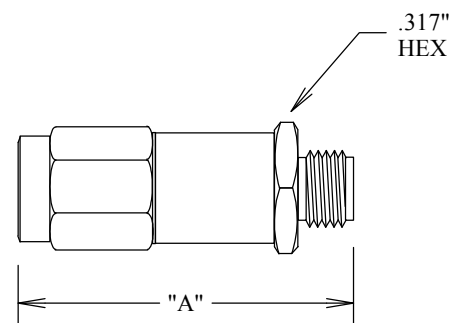
SA18H-XX

## SPECIFICATIONS

### ELECTRICAL:

FREQUENCY: 0-18 GHZ  
 VSWR: 1.35:1 MAX  
 POWER (AVG) 2 WATTS @ 25° C  
 POWER (PEAK) 500 WATTS  
 POWER DERATES LINEARLY TO <10% @ 125°C  
 IMPEDANCE: 50 OHMS  
 ATTENUATION ACCURACY

1-6 dB	± .3 dB
7-20 dB	± .5 dB
21-30 dB	± .75 dB



Dimension for "A"

Db Value	Length
1-12 dB	.860"
13-30	1.02"

### MECHANICAL:

MATERIAL BODY: PASSIVATED STAINLESS STEEL  
 MATERIAL RING & CONTACTS: BeCu  
 CENTER CONTACT: GOLD PLATED PER MIL-G-45204

### ENVIRONMENTAL:

TEMP: -65° C TO +125° C

**FAIRVIEW MICROWAVE INC.**

ALLEN, TX 75013 WWW.FAIRVIEWMICROWAVE.COM

TITLE

**SMA M/F 18 GHZ ATTENUATOR  
 WITH HEX**

SIZE	CAGE CODE	DWG NO	REV
<b>A</b>	3FKR5	<b>SA18H-XX</b>	--
SCALE	SHEET		