

BNC ATTENUATORS 75 OHM 3GHZ

SA03B75-XX

SPECIFICATIONS

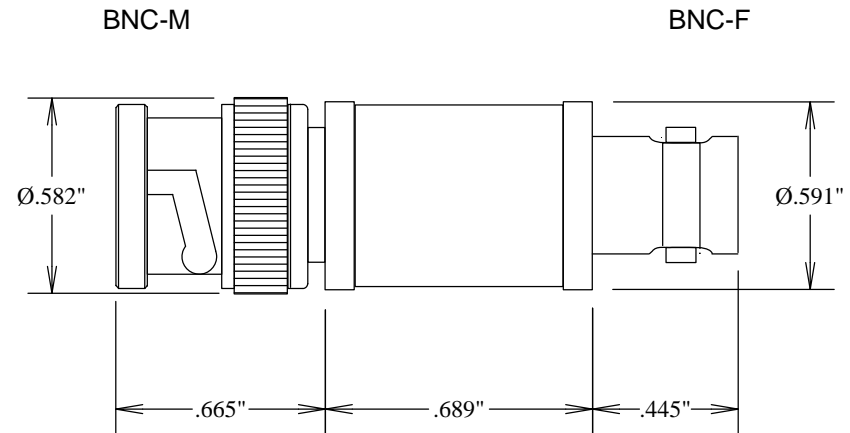
ELECTRICAL

FREQUENCY: 0-3 GHZ
 IMPEDANCE: 75 OHMS
 VSWR: 1.3:1 MAX
 POWER: 2 WATTS CW @ 25°C
 ATTENUATION ACCURACY: ± 0.5 DB

MECHANICAL

MATERIAL BODY : NICKLE PLATED BRASS
 CONTACT MATERIAL FEMALE: BeCu
 CONTACT MATERIAL MALE: BRASS
 CONTACT PLATING: Au MIL-G-45204
 INSULATOR: TEFLON

ROHS COMPLIANT



				FAIRVIEW MICROWAVE INC.	
				ALLEN, TX 75013 WWW.FAIRVIEWMICROWAVE.COM	
				TITLE	
				BNC ATTENUATORS 75 OHM 3GHZ	
SIZE	CAGE CODE	DWG NO	REV		
A	3FKR5	SA03B75-XX	--		
SCALE			SHEET		