

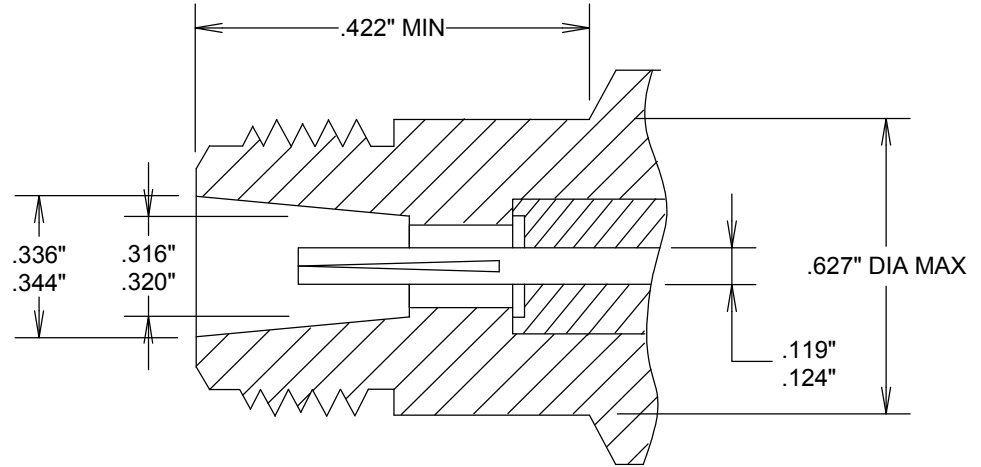
# SPECIFICATIONS

## ELECTRICAL

FREQUENCY: DC-12 GHZ  
 IMPEDANCE: 50 OHMS  
 VRMS: 1000 VOLTS

## MECHANICAL

MATERIALS BODY: BRASS, PLATED  
 SILVER, OR NICKEL  
 MALE CONTACTS: BRASS  
 FEMALE CONTACTS: BeCu  
 GASKETS: SILICONE RUBBER  
 INSULATOR: TEFLON



**FAIRVIEW MICROWAVE INC.**

ALLEN, TX 75013 WWW.FAIRVIEWMICROWAVE.COM

TITLE

**N-F**

SIZE	CAGE CODE	DWG NO	REV
<b>A</b>	<b>3FKR5</b>	<b>N-F CONNECTOR</b>	

SCALE

SHEET