

N RESISTIVE POWER DIVIDER DC-18 GHZ

MPR18N-2

SPECIFICATIONS

ELECTRICAL

FREQUENCY: DC-18 GHZ
 NOMINAL IMPEDANCE: 50 OHMS
 VSWR 1.25:1 MAX @ DC - 10 GHZ
 VSWR 1.35:1 MAX @ 10 - 18 GHZ
 INSERTION LOSS: 6 dB NOMINAL,
 -0.2, +1.2 dB MAX TO 10 GHZ
 +1.5 dB MAX TO 18 GHZ
 INPUT POWER: 1 WATT CW;
 1 KW PEAK(5μSEC PULSE WIDTH,
 0.05 DUTY CYCLE)
 AMPLITUDE & PHASE TRACK(MAX):
 0.2 dB @ DC - 4 GHZ
 0.4 dB @ 4 - 10 GHZ
 0.5 dB @ 10 - 18 GHZ
 PHASE TRACKING: ±2° NOMINAL BETWEEN
 OUTPUT PORTS(MALE AS INPUT;
 FEMALE AS OUTPUT)

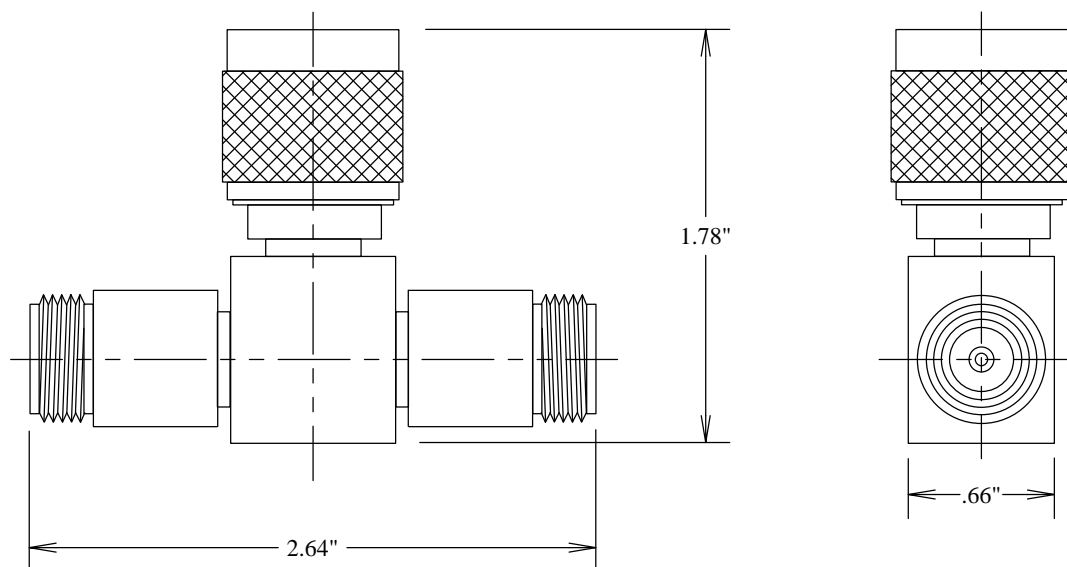
ENVIRONMENTAL

-55°C TO +125°C
 INTERFACE: MIL-STD-348

MATERIALS

CENTER CONTACT: BeCu
 CONTACT PLATING: Au PER MIL-G-45204
 BODY: NICKEL PLATED BRASS
 CONNECTORS: PASSIVATED STAINLESS STEEL

ROHS COMPLIANT



				FAIRVIEW MICROWAVE INC.	
				ALLEN, TX 75013 WWW.FAIRVIEWMICROWAVE.COM	
				TITLE	
				N RESISTIVE POWER DIVIDER DC-18 GHZ	
SIZE	CAGE CODE	DWG NO	REV		
A	3FKR5	MPR18N-2	--		
SCALE			SHEET		