

SMA POWER DIVIDER 4-WAY 0-3 GHZ

MPR03-04

SPECIFICATIONS

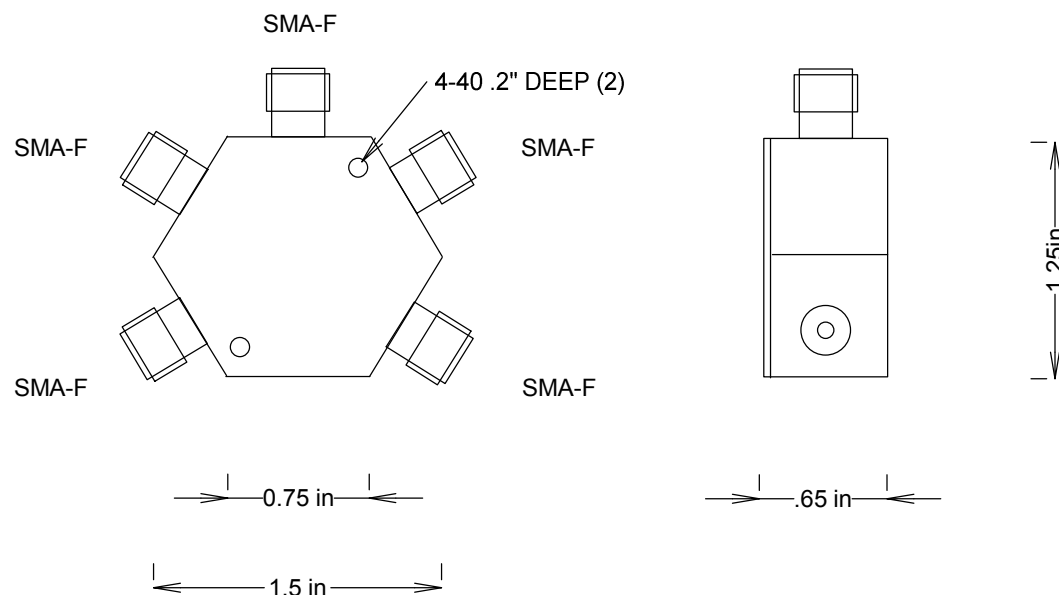
ELECTRICAL:

RESISTIVE POWER DIVIDER
 FREQUENCY: 0-3 GHZ
 VSWR 1.3:1 MAX
 POWER CW: 1 WATT
 INSERTION LOSS: 13 DB MAX
 IMPEDANCE: 50 OHMS

MATERIALS BODY: PASS STAINLESS STEEL

ENVIRONMENTAL:

OP TEMP: 0 TO +70 DEG C
 STORAGE TEMP: -55 C TO +120 C



				FAIRVIEW MICROWAVE INC.			
				ALLEN, TX 75013 WWW.FAIRVIEWMICROWAVE.COM			
				TITLE			
				SMA POWER DIVIDER 4-WAY 0-3 GHZ			
SIZE		CAGE CODE		DWG NO		REV	
A		3FKR5		MPR03-04		B	
SCALE				SHEET			