

SPECIFICATIONS

ELECTRICAL:

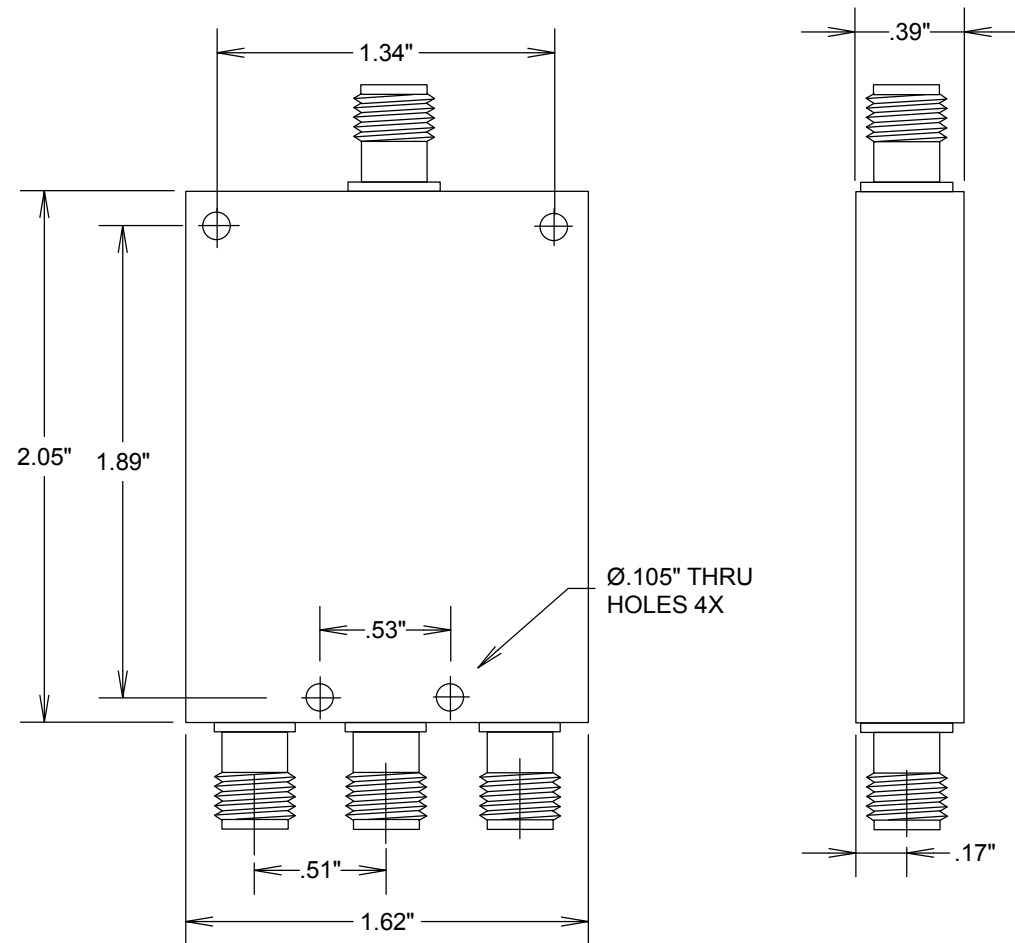
FREQUENCY: 2-4 GHZ
 VSWR 1.3:1 MAX IN, 1.30 OUT
 POWER CW: 30 WATTS
 ISOLATION: 18 DB MIN
 INSERTION LOSS: 0.6 DB
 AMPLITUDE BALANCE: +/- 0.30DB MAX
 IMPEDANCE: 50 OHMS

MECHANICAL

CONNECTORS: NICKEL PLATED BRASS
 CONTACTS: GOLD PLATED

ENVIRONMENTAL:

TEMP: -55 C TO +100 C



S. M. ELECTRONICS L.L.C

FAIRVIEW, TX 75069 WWW.SMELECTRONICSLLC.COM

TITLE

SMA POWER DIVIDER 3-WAY 2-4 GHZ

SIZE	CAGE CODE	DWG NO.	REV
A	3FKR5	MP8425-3	A
SCALE		SHEET	