

SMA POWER DIVIDER 2-WAY 2-4 GHZ

MP8424-2

SPECIFICATIONS

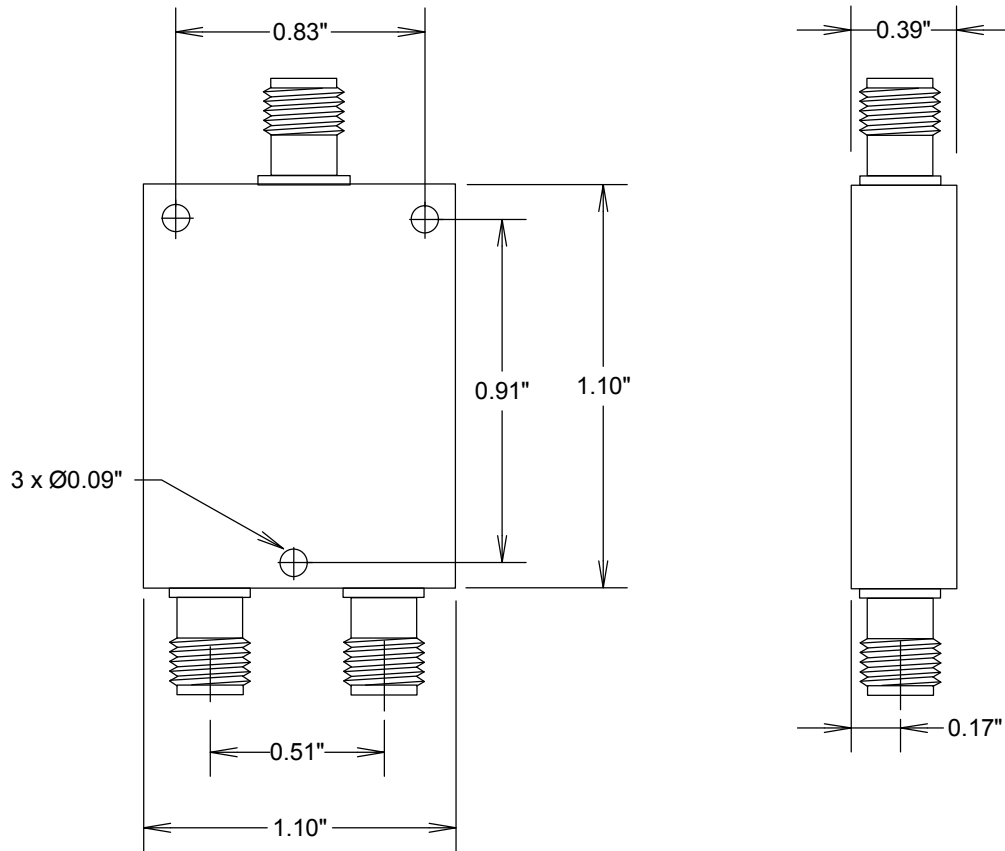
ELECTRICAL:

FREQUENCY: 2-4 GHZ
 VSWR 1.25:1 MAX IN, 1.20 OUT
 POWER HANDLING: 30 WATTS

ISOLATION: 20 DB MIN
 INSERTION LOSS: 0.35 DB
 AMPLITUDE BALANCE: +/- 0.20 DB MAX
 PHASE BALANCE: +/- 2 DEGREES
 IMPEDANCE: 50 OHMS

ENVIRONMENTAL:

TEMP: -55 C TO +85 C



FAIRVIEW MICROWAVE INC.

ALLEN, TX 75013 WWW.FAIRVIEWMICROWAVE.COM

TITLE

SMA POWER DIVIDER 2-WAY 2-4 GHZ

SIZE	CAGE CODE	DWG NO	REV
A	3FKR5	MP8424-2	
SCALE	SHEET		