

SMA POWER DIVIDER 4-WAY 2-18 GHZ

MP0218-4

SPECIFICATIONS

ELECTRICAL:

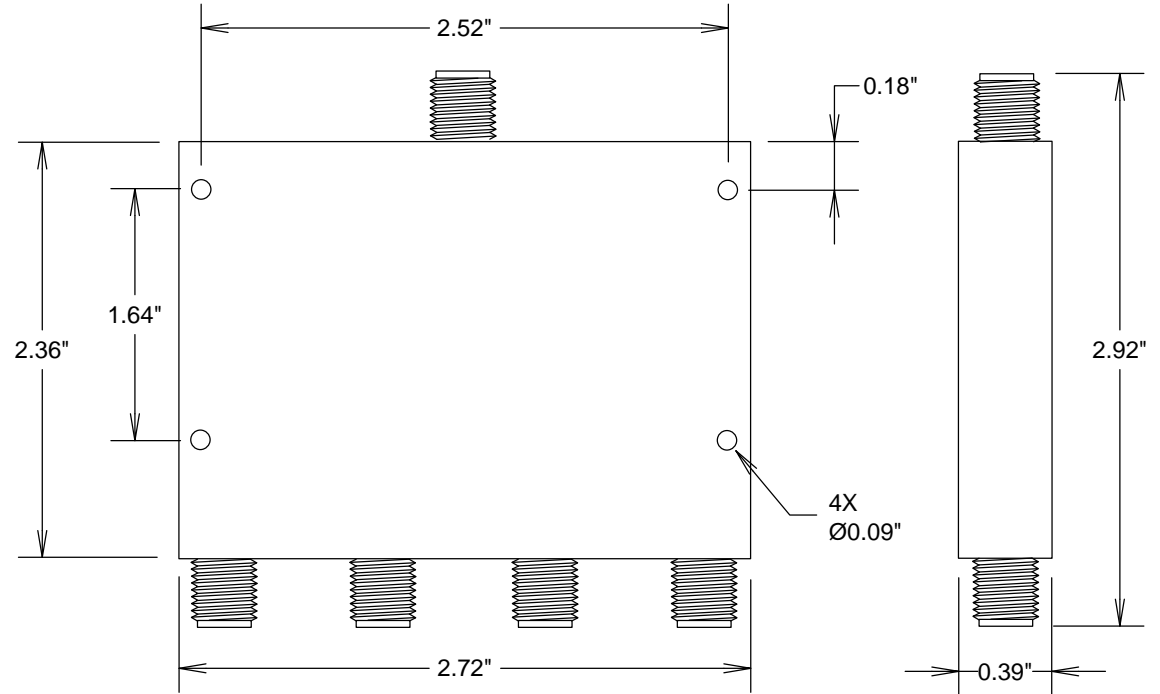
- FREQUENCY: 2-18 GHZ
- INPUT VSWR: 1.65
- OUTPUT VSWR: 1.60
- POWER HANDLING: 30 WATTS
- ISOLATION: 16 DB MIN
- INSERTION LOSS: 2.2 DB
- AMPLITUDE BALANCE: ± 0.6 DB
- PHASE BALANCE: $\pm 10^\circ$
- IMPEDANCE: 50 OHMS

MECHANICAL

- CONNECTORS: PASSIVATED STAINLESS STEEL
- HOUSING: AL, PAINTED GRAY

ENVIRONMENTAL:

- TEMP: -55 C TO +125 C
- ROHS COMPLIANT



FAIRVIEW MICROWAVE INC.

ALLEN, TX 75013 WWW.FAIRVIEWMICROWAVE.COM

TITLE

SMA POWER DIVIDER 4-WAY 2-18 GHZ

SIZE	CAGE CODE	DWG NO	REV
A	3FKR5	MP0218-4	--
SCALE		SHEET	