

SPECIFICATIONS

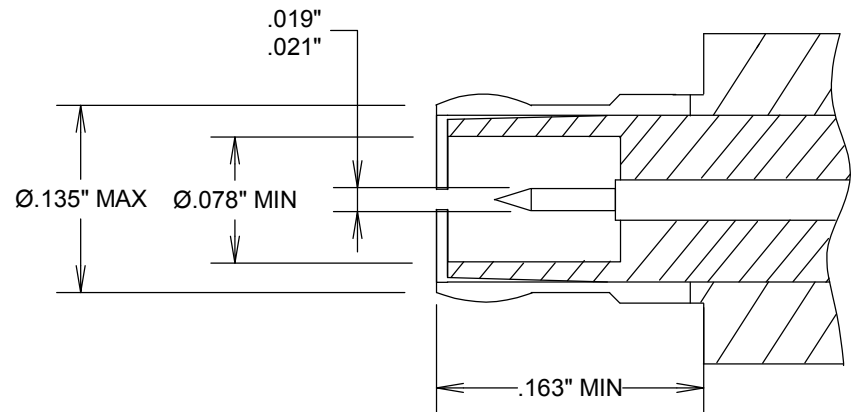
ELECTRICAL

FREQUENCY: DC-6 GHZ
 IMPEDANCE: 50 OHMS
 VRMS: 250-335 VOLTS RMS(DEPENDENT ON CABLE)

MECHANICAL

MATERIALS BODY: NICKEL, GOLD PLATED, OR BRASS
 MALE CONTACTS: BRASS OR BeCu
 FEMALE CONTACTS: BeCu
 CONTACT PLATING: GOLD
 GASKETS: SILICONE RUBBER
 INSULATOR: TEFLON

MCX-PLUG



FAIRVIEW MICROWAVE INC.
 ALLEN, TX 75013 WWW.FAIRVIEWMICROWAVE.COM

TITLE

MCX PLUG

SIZE	CAGE CODE	DWG NO	REV
A	3FKR5	MCX PLUG	
SCALE	SHEET		