

SINGLE DIRECTIONAL COUPLER 1.0-12.4 GHZ N-SMA-N

MC4061-XX

SPECIFICATIONS

ELECTRICAL

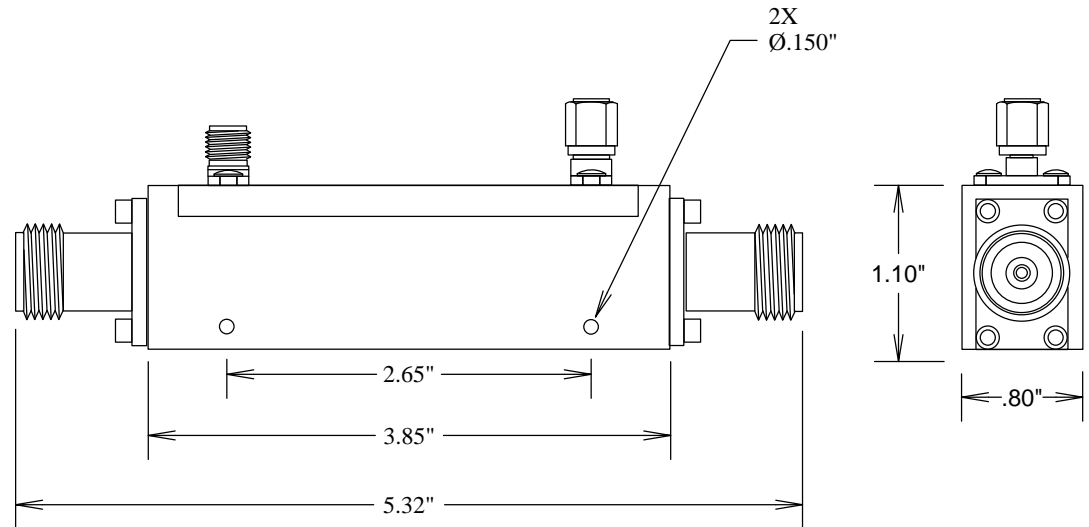
FREQUENCY: 1.0-12.4 GHZ
 POWER: 600 W AVG, 10 KW PEAK
 IMPEDANCE: 50 OHMS

Freq	1-4	4-8	8-12.4
Coupling	± 1.0	± 1.0	-3, +0
Freq. Sens.	±0.70	± 1.0	± 1.5
Directivity	20 dB	17 dB	13 dB
Return loss	20 dB	17 dB	13 dB

MECHANICAL

MATERIALS BODY: ALUMINUM
 CONNECTORS N: SILVER PLATED BRASS
 CONTACTS N: SILVER PLATED BRASS
 CONNECTORS SMA: STAINLESS STEEL
 CONTACTS SMA: Au PLATED BeCu
 DIELECTRIC: TEFLON

Insertion Loss*	
10 dB	.75 MAX
20 dB	.35 MAX
30 dB	.30 MAX



*Includes Coupling Loss

				FAIRVIEW MICROWAVE INC.			
				ALLEN, TX 75013 WWW.FAIRVIEWMICROWAVE.COM			
				TITLE			
				SINGLE DIRECTIONAL COUPLER 1.0-12.4 GHZ N-SMA-N			
SIZE		CAGE CODE		DWG NO		REV	
A		3FKR5		MC4061		A	
SCALE				SHEET			