

# SMA DIRECTIONAL COUPLERS 2-8 GHZ

MC2047-XX

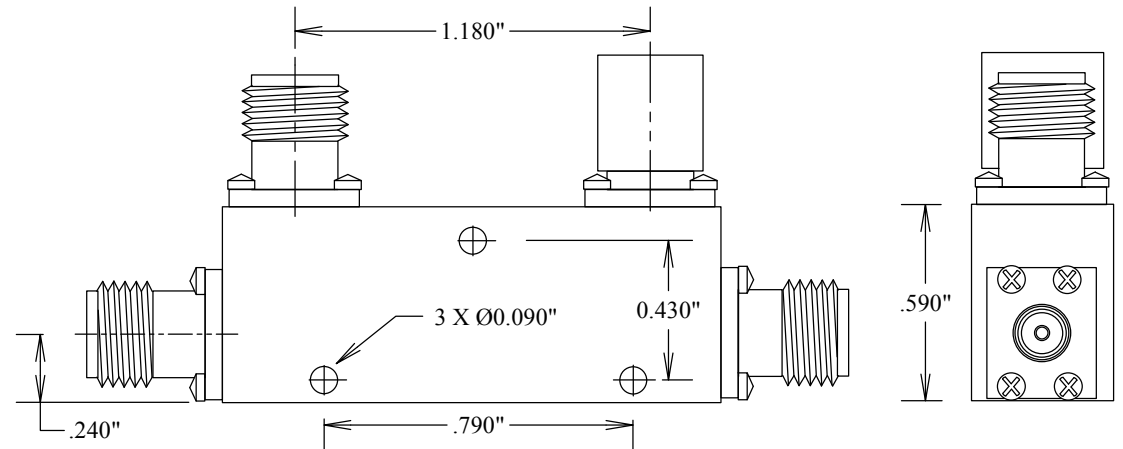
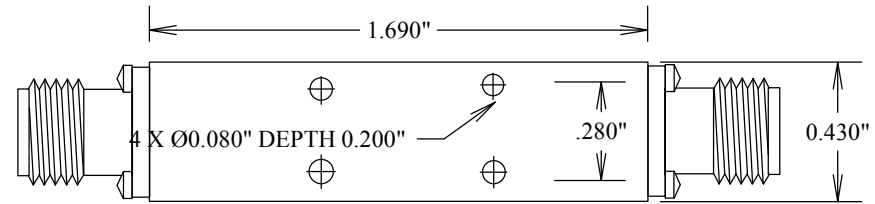
## SPECIFICATIONS

### ELECTRICAL:

FREQUENCY: 2-8 GHZ  
 VSWR 1.25:1 MAX  
 POWER CW: 50 WATTS  
 POWER PEAK: 3KW  
 DIRECTIVITY: 20 DB MIN  
 LOSS: THRU: .5DB + COUPLING LOSS  
 IMPEDANCE: 50 OHMS

### ENVIRONMENTAL:

TEMP: -54 C TO +125 C



**FAIRVIEW MICROWAVE INC.**

ALLEN, TX 75013 WWW.FAIRVIEWMICROWAVE.COM

TITLE

**SMA DIRECTIONAL COUPLERS 2-8 GHZ**

SIZE	CAGE CODE	DWG NO	REV
<b>A</b>	<b>3FKR5</b>	<b>MC2047-XX</b>	<b>A</b>
SCALE		SHEET	