

SMA DIRECTIONAL COUPLER .7 - 2.7 GHZ

MC0727

SPECIFICATIONS

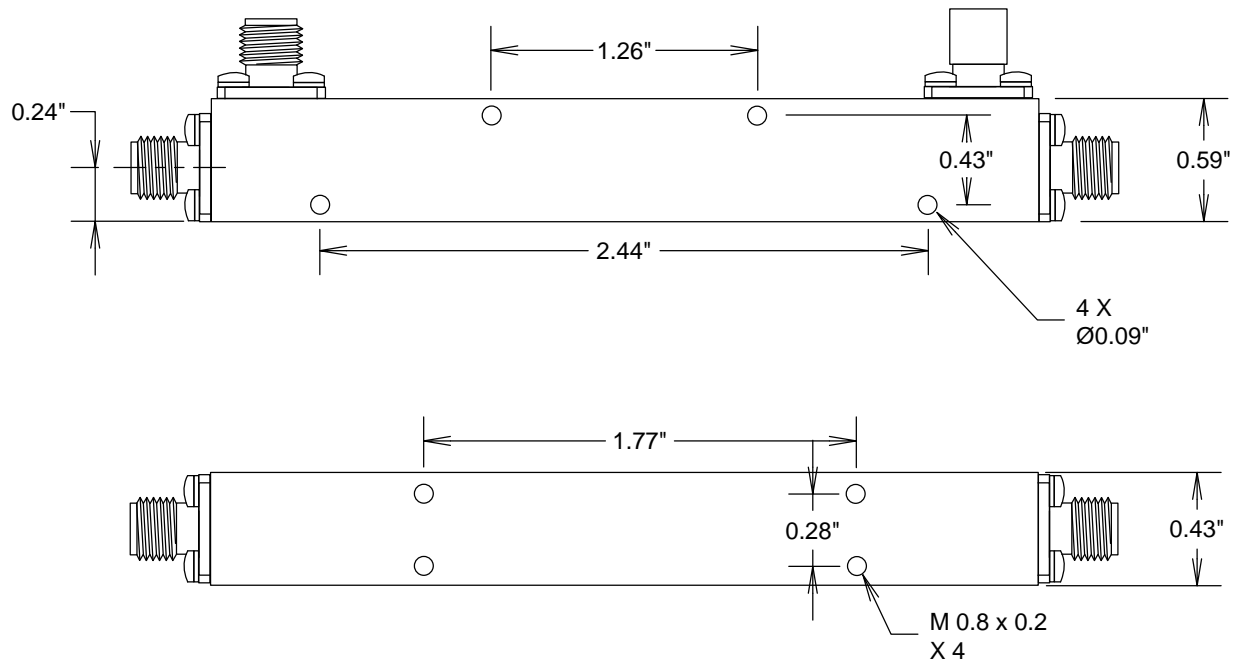
ELECTRICAL:

FREQUENCY: .7 - 2.7 GHZ
 VSWR 1.2:1 TYP
 POWER CW: 50 WATTS
 DIRECTIVITY: 20 DB TYP
 COUPLING ACCURACY: ± 1 dB
 AMPLITUDE BALANCE: ± 0.7 dB
 IMPEDANCE: 50 OHMS

COUPLING (dB)	INS. LOSS
6, 10	0.5 dB
20, 30	0.4 dB

MATERIAL CONNECTORS: PASSIVATED STAINLESS STEEL
 MATERIAL CONTACTS: Au PLATED BeCu

ENVIRONMENTAL:
 OPERATING TEMP: -55°C TO +85°C



FAIRVIEW MICROWAVE INC.

ALLEN, TX 75013 WWW.FAIRVIEWMICROWAVE.COM

TITLE

SMA DIRECTIONAL COUPLER .7 - 2.7 GHZ

SIZE CAGE CODE DWG NO

A

3FKR5

MC0727

REV

A

SCALE

SHEET