

# 2.92 DIRECTIONAL COUPLERS 6-26 GHZ

MC0626

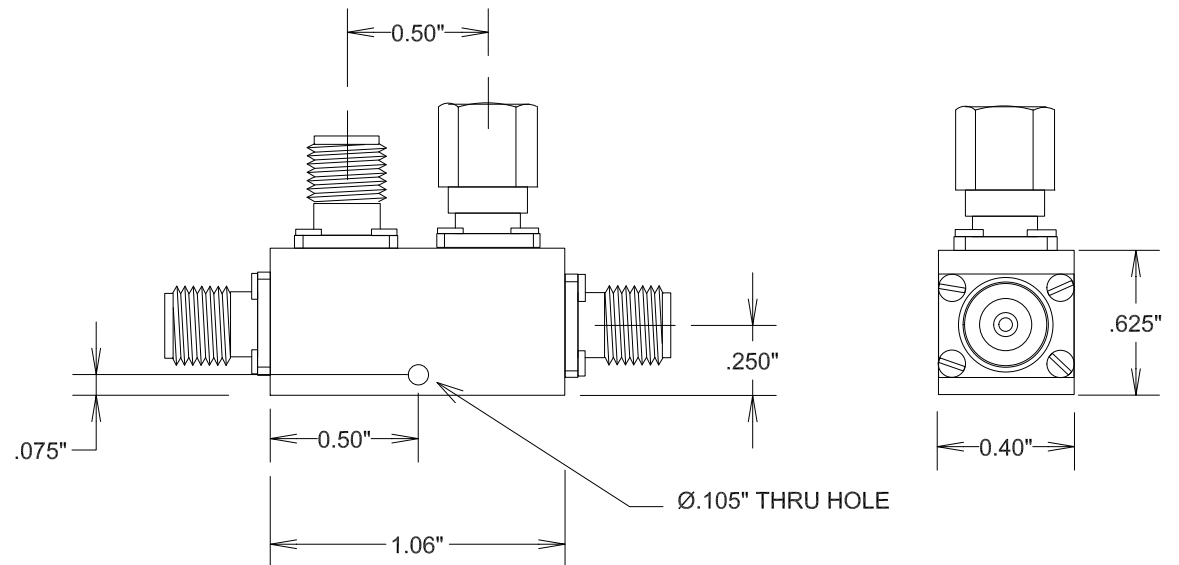
## SPECIFICATIONS

### ELECTRICAL:

FREQUENCY: 6-26 GHZ  
 VSWR 1.55:1 MAX  
 POWER CW: 20 WATTS  
 COUPLING: 20 DB +/- 1 DB  
 COUPLING FLATNESS: +/- 0.80 DB MAX  
 INSERTION LOSS: 0.70 DB MAX  
 IMPEDANCE: 50 OHMS

### ENVIRONMENTAL:

TEMP: -55 C TO +125 C



**FAIRVIEW MICROWAVE INC.**

ALLEN, TX 75013 WWW.FAIRVIEWMICROWAVE.COM

TITLE

**2.92 DIRECTIONAL COUPLERS 6-26 GHZ**

SIZE	CAGE CODE	DWG NO	REV
<b>A</b>	<b>3FKR5</b>	<b>MC0626</b>	
SCALE	SHEET		