

SMA DIRECTIONAL COUPLERS 6-18 GHZ

MC0618-XX

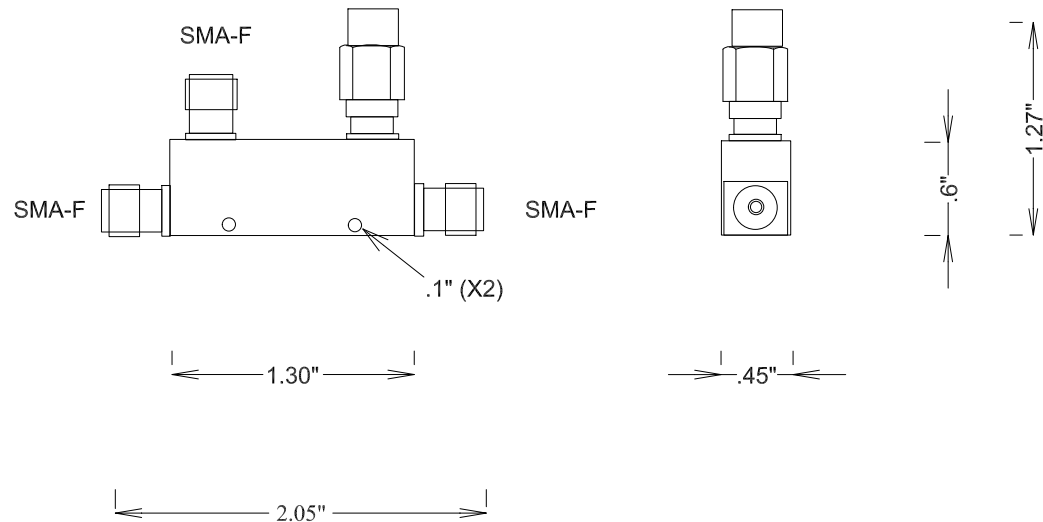
SPECIFICATIONS

ELECTRICAL:

FREQUENCY: 6-18 GHZ
 VSWR 1.5:1 MAX
 POWER CW: 50 WATTS
 POWER PEAK: 3KW
 ISOLATION: -10, 14DB; -20, 12 DB MIN
 INS. LOSS: 1.0DB MAX EXC COUPLED PWR
 IMPEDANCE: 50 OHMS

ENVIRONMENTAL:

TEMP: -55 C TO +125 C



				FAIRVIEW MICROWAVE INC.	
				ALLEN, TX 75013 WWW.FAIRVIEWMICROWAVE.COM	
				TITLE	
				SMA DIRECTIONAL COUPLERS 6-18 GHZ	
SIZE	CAGE CODE	DWG NO			REV
A	3FKR5	MC0618-XX			
SCALE			SHEET		