

SMA F'S DIRECTIONAL COUPLER 0.5-12.4 GHZ

MC0512-XX

SPECIFICATIONS

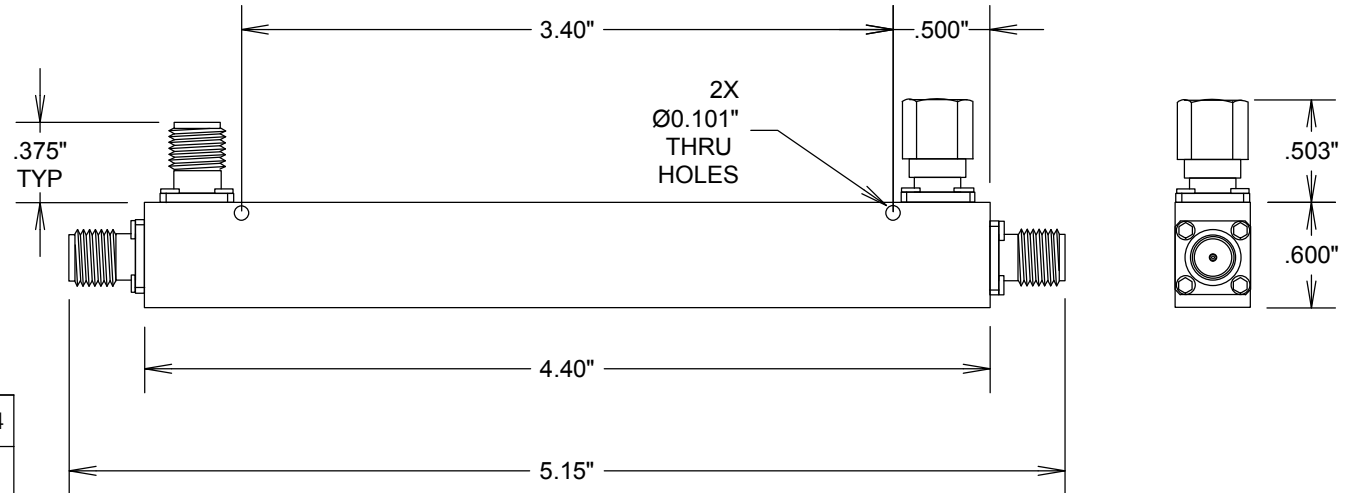
ELECTRICAL:

FREQUENCY: 0.5 - 12.4 GHZ
 POWER CW: 50 WATTS
 COUPLING FLATNESS: ± 1.25 dB
 FREQUENCY SENSITIVITY: ± 0.75 DB
 IMPEDANCE: 50 OHMS

FREQ (GHZ)	0.5-4.0	4.0-8.0	8.0-12.4
DIRECTIVITY (dB)	20	17	13
INSERTION LOSS (dB)	0.10	0.15	0.20
RETURN LOSS (dB)	20	17	13

THEORETICAL MINIMUM LOSS:

6 dB: 1.25 dB
 10 dB: 0.455 dB
 20 dB: 0.0436 dB



FAIRVIEW MICROWAVE INC.

ALLEN, TX 75013 WWW.FAIRVIEWMICROWAVE.COM

TITLE

**SMA F'S DIRECTIONAL COUPLER
 0.5-12.4 GHZ**

SIZE	CAGE CODE	DWG NO	REV
A	3FKR5	MC0512-XX	A
SCALE		SHEET	