

SMA F'S DIRECTIONAL COUPLER 2-18 GHZ

MC0218-XX

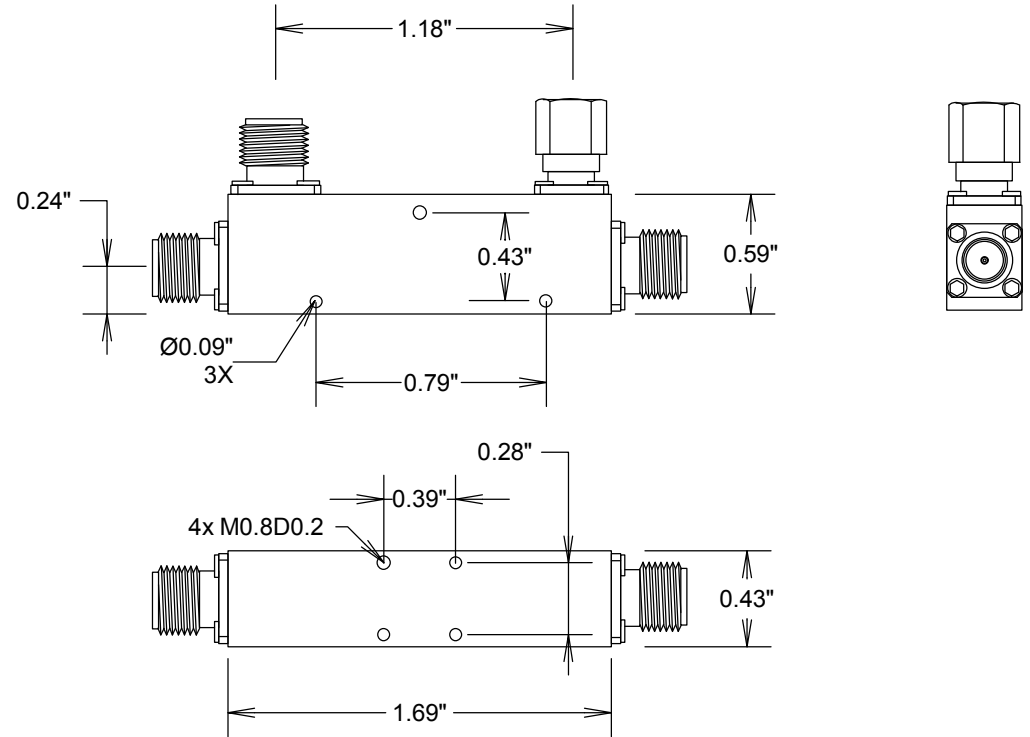
SPECIFICATIONS

ELECTRICAL:

FREQUENCY: 2-18 GHZ
 INSERTION LOSS: 0.7dB
 VSWR: 1.5:1
 DIRECTIVITY: 12dB
 AMPLITUDE BALANCE: ± 1 dB
 POWER CW: 50 WATTS
 IMPEDANCE: 50 OHMS

ENVORINMENTAL:

WORKING TEMP -55°C TO +85°C



COUPLING	
MC0218-10	10 \pm 1dB
MC0218-20	20 \pm 1dB
MC0218-30	30 \pm 1dB

				FAIRVIEW MICROWAVE INC.	
				ALLEN, TX 75013 WWW.FAIRVIEWMICROWAVE.COM	
				TITLE	
				SMA F'S DIRECTIONAL COUPLER 2-18 GHZ	
SIZE	CAGE CODE	DWG NO	MC0218-XX		REV
A	3FKR5				--
SCALE			SHEET		